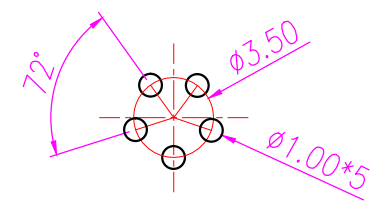
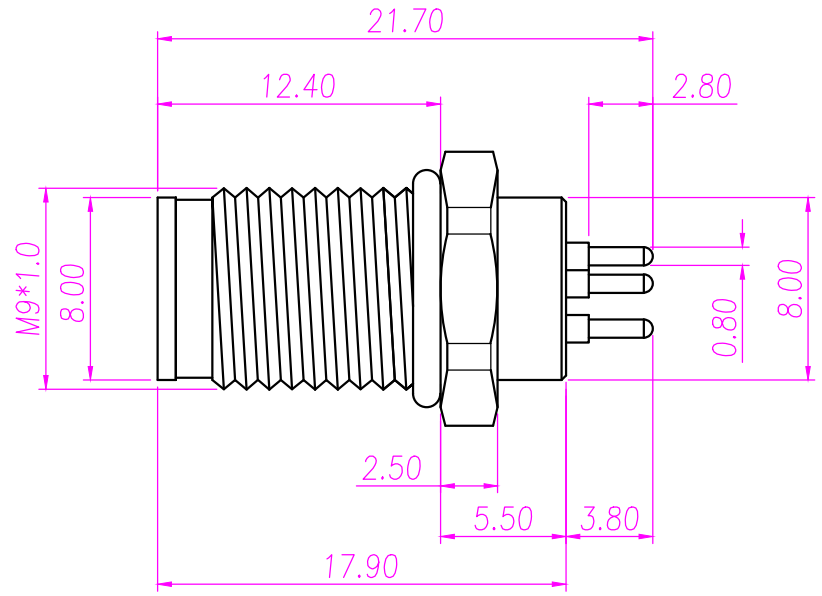
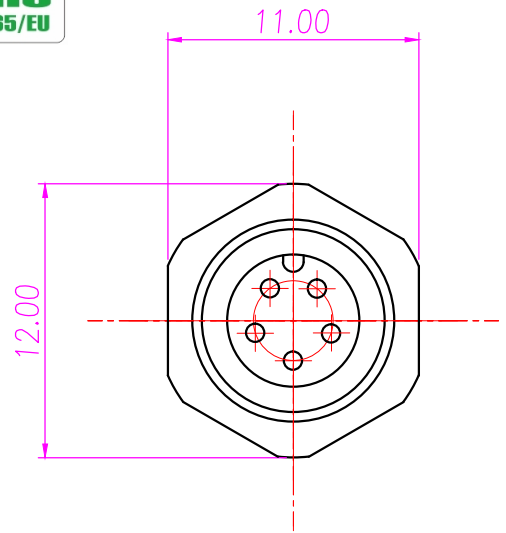
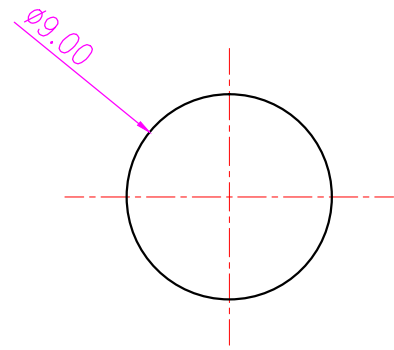
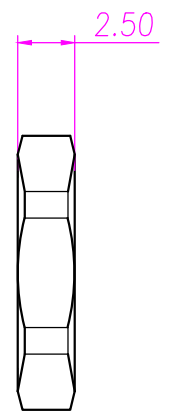
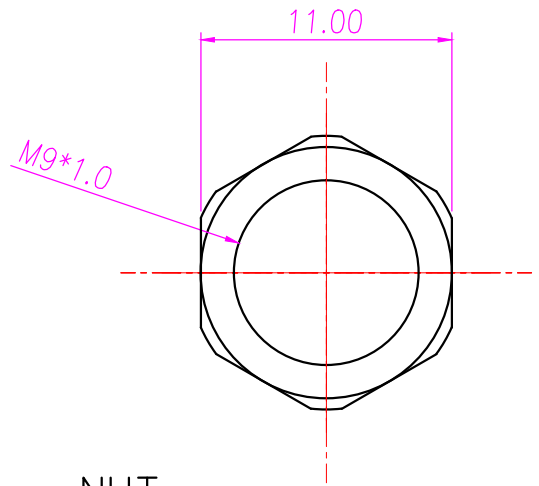




REV.	DESCRIPTION	APPROVED BY	DATE	ECN NO.
A	RELEASE	KUNG	06/03/12*	
B				
C				



RECOMMEND P.C.B LAYOUT



PANEL CUT-OUT

- MATERIAL :
 - 1-1. HOUSING : PBT UL94V-0 ; COLOR : BLACK
 - 1-2. CONTACT : BRASS
 - 1-3. SHELL : BRASS
 - 1-4. O-RING : EDPM; COLOR : BLACK
 - 1-5. NUT : BRASS.
- FINISH :
 - 2-1. CONTACT : GOLD FLASH PLATED
 - 2-2. SHELL : NICKEL PLATED .
 - 2-3. NUT : NICKEL PLATED .
- ELECTRICAL SPECIFICATION :
 - 3-1. Rated current : 3A
 - 3-2. Rated Voltage : 125V
 - 3-3. Water proof : IPX7
- Environmental :
 - 4-1. Operation Temperature : -20 ℃~85℃

NUT

DRAWN	KU	APP'D	KUNG	UNIT	mm	TOLERANCE		JKL TECHNOLOGY CO., LTD.	TITLE	M9 5PIN(M) FRONT PANEL MOUNT DIP TYPE.			SHEET
CHK'D				SCALE	1:1	.x ±0.20 .xx ±0.10 .xxx ±0.05 .xxxx ±0.03 ANGULA ±1°			PART NO.	WP-05M2-113-11	DWG NO.	N-16060	VERSION