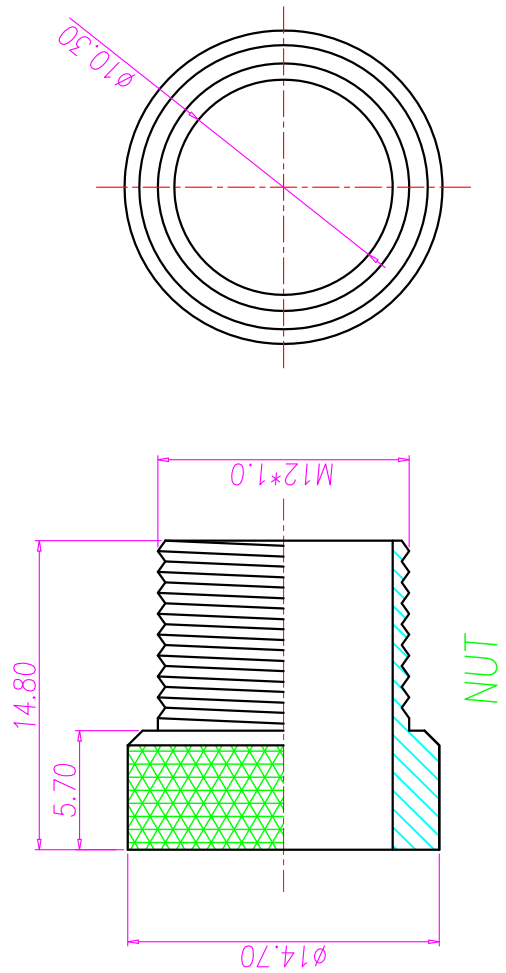
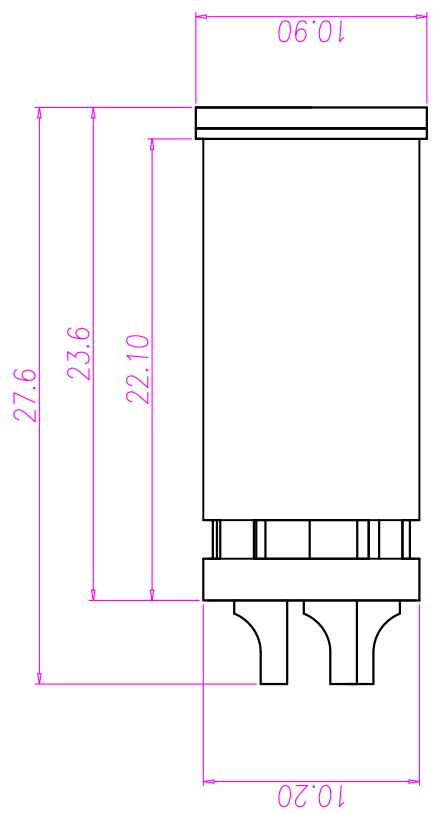
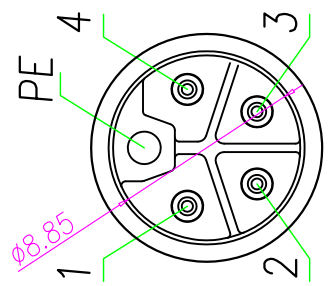


REV.	DESCRIPTION	APPROVED BY	DATE	ECN NO.
A	RELEASE	KUNG	12/04/06'	
B				
C				



1. MATERIAL :
- 1-1. HOUSING : PA66 UL94V-0 ; COLOR : BLACK
 - 1-2. CONTACT : BRASS
 - 1-3. NUT : BRASS
 - 1-4. SHELL : BRASS
2. FINISH :
- 2-1. CONTACT : 10 MICRO INCHES MIN. GOLD PLATED
UNDER PLATE : NICKEL
 - 2-2. NUT : NICKEL PLATED
 - 2-3. SHELL : BRIGHT TIN PLATED
3. ELECTRICAL SPECIFICATION :
- 3-1. Rated current : 10A
 - 3-2. Rated Voltage : 60V
 - 3-3. Water proof: IP67/68
4. Environmental :
- 4-1. Operation Temperature : -40℃~105℃



DRAWN	Ku Chou	APP'D	KUNG	UNIT	TOLERANCE	.x ±0.20 .xx ±0.10 .xxx ±0.05 .xxxx ±0.03 ANGLE ±1°			JKL TECHNOLOGY CO., LTD.	TITLE	M12 5PIN 4+PE (M) L-CODE WATERPROOF CONNECTOR FOR CABLE.	SHEET	
	CHK'D									Enly Suen	PART NO.		