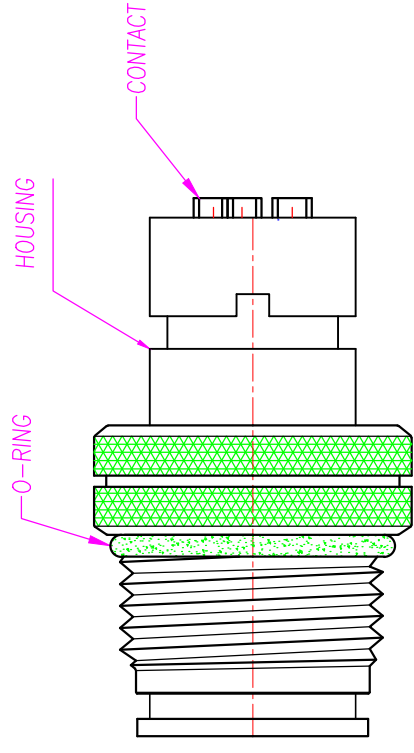
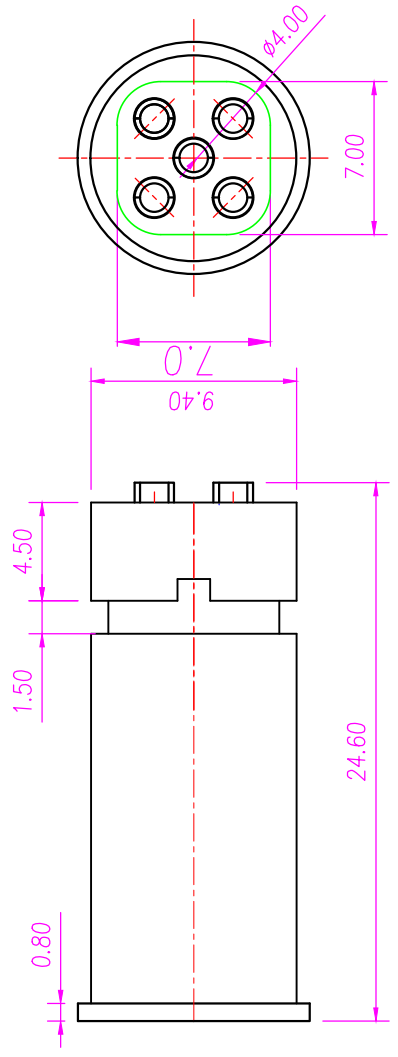
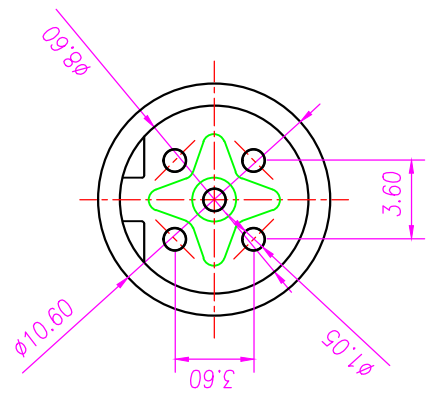
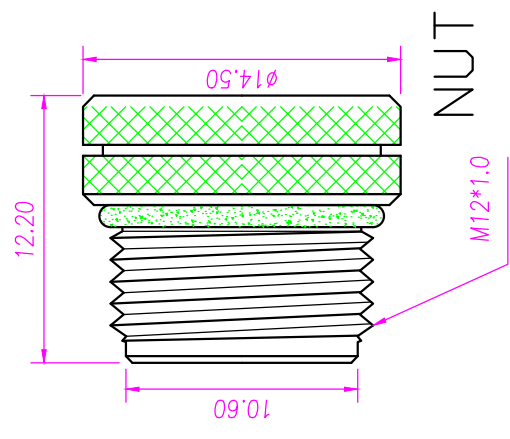




REV.	DESCRIPTION	APPROVED BY	DATE	ECN NO.
A				
B				
C				



ASSEMBLY

- MATERIAL :
  - HOUSING : PBT UL94V-0 ; COLOR : BLACK
  - CONTACT : BRASS
  - NUT : BRASS
  - O-RING : EPDM; COLOR : BLACK
- FINISH :
  - CONTACT A : 10 MICRO INCHES MIN. GOLD PLATED
  - UNDER PLATE : NICKEL
  - NUT : NICKEL PLATED.
- ELECTRICAL SPECIFICATION :
  - Rated current : 5A
  - Voltage : 125V
  - Water proof: IPX7
- Environmental :
  - Operation Temperature : -20 °C~85°C

DRAWN	NEIL	KUNG	UNIT	mm	TOLERANCE	SHEET	1	
	CHK'D						TIM	APP'D
JKL TECHNOLOGY CO., LTD.					TITLE	M12 5 PIN MALE B-CODE FOR CABLE		
					PART NO.	WP-05M2-44	DWG.	QC4648