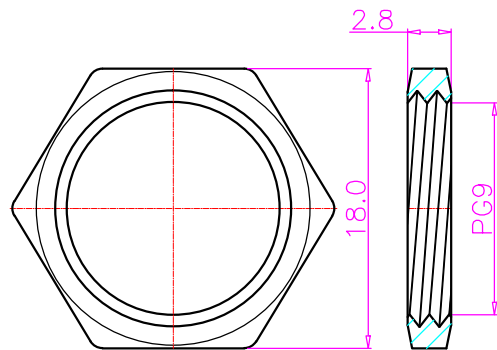
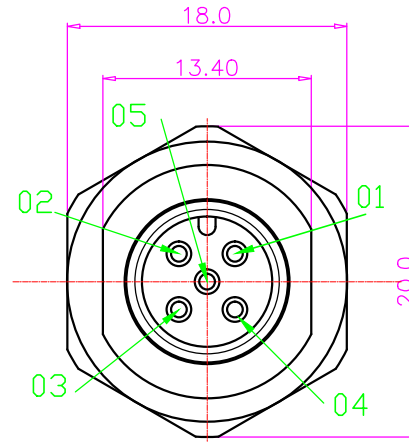
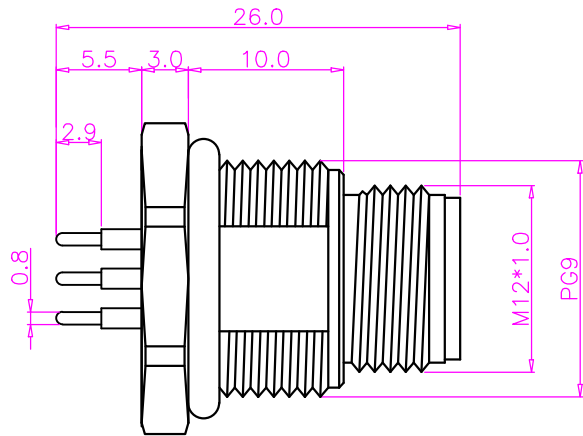
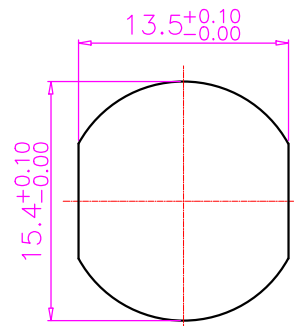




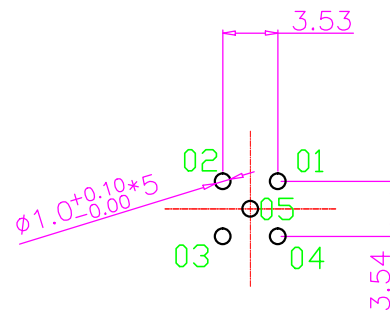
REV.	DESCRIPTION	APPROVED BY	DATE	ECN NO.
A				
B				
C				



NUT



RECOMMEND PANEL CUT-OUT RECOMMEND P.C.B LAYOUT



- MATERIAL :
 - HOUSING : PBT UL94V-0 ; COLOR : BLACK
 - CONTACT : BRASS
 - NUT : BRASS
 - SHELL : BRASS
 - O-RING : EPDM ; COLOR : BLACK
- FINISH :
 - CONTACT : 10 MICRO INCHES MIN. GOLD PLATED
UNDER PLATE : NICKEL
 - NUT : NICKEL PLATED
 - SHELL : NICKEL PLATED
- ELECTRICAL SPECIFICATION :
 - Rated current : 5A
 - Rated Voltage : 125V
 - Water proof: IPX7
- Environmental :
 - Operation Temperature : -40°C~85°C

DRAWN	Ku Chou	APPEND	kung	UNIT	mm	TOLERANCE .x ±0.20 .xx ±0.10 .xxx ±0.05 .xxxx ±0.03 ANGULA ±1°		JKL TECHNOLOGY CO., LTD	TITLE	M12 5 PIN MALE FRONT PANEL MOUNT , A CODE , DIP TYPE			SHEET	1
CHKED	Emily Suen			SCALE	1:1				PART NO.	WP-05M2-58	DWG NO.	QC5580	VERSION	A