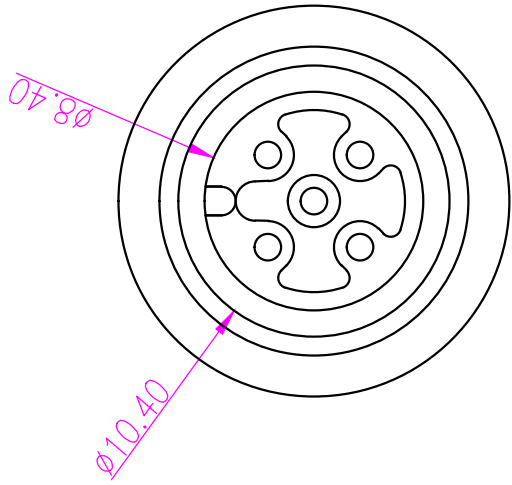
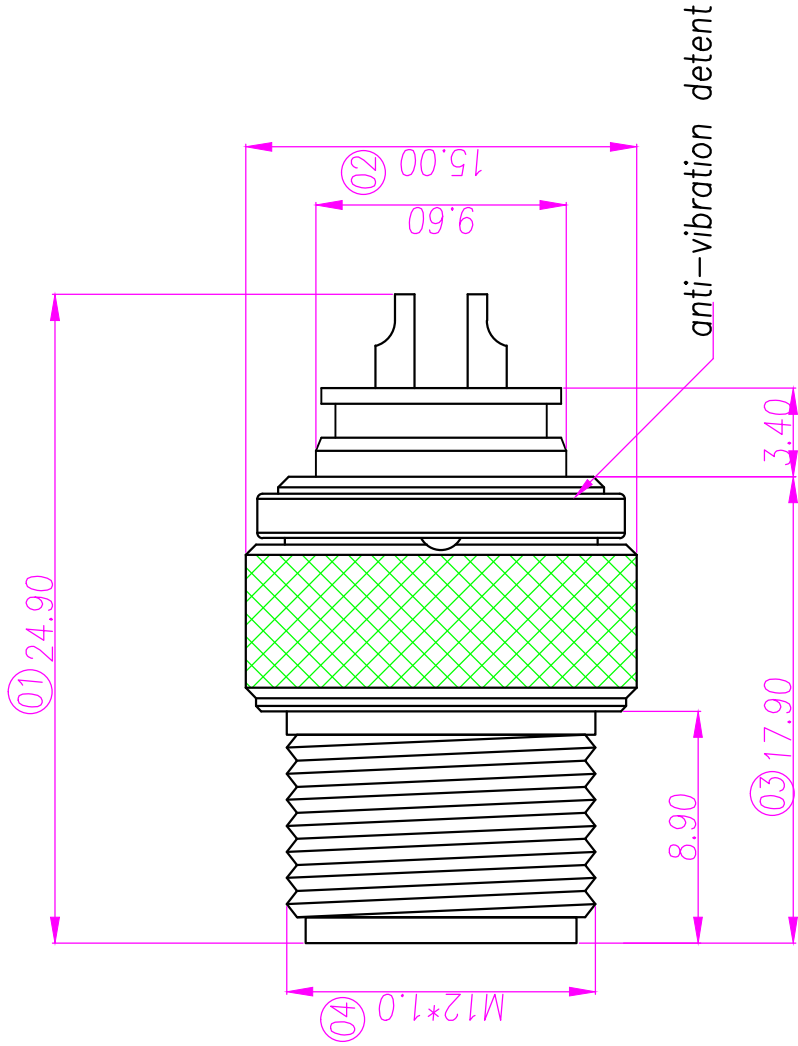




REV.	DESCRIPTION	APPROVED BY	DATE	ECN NO.
A	RELEASE	KUNG	18/02/14*	
B				
C				



- MATERIAL :
 - HOUSING : PA66 ; COLOR : BLACK
 - CONTACT : BRASS
 - NUT : BRASS
- FINISH :
 - CONTACT : GOLD PLATED OVER ALL
 - SHELL : NICKEL PLATED
- ELECTRICAL SPECIFICATION :
 - Rated current : 3A
 - Rated Voltage : 60V
 - Water proof : IP68
- Environmental :
 - Operation Temperature : -40°C~105°C

DRAWN	KU	APP'D	KUNG	UNIT	mm	TOLERANCE	SHEET
CHK'D	JUSTIN			SCALE	1:1	x ±0.20 .xx ±0.10 .xxx ±0.05 .xxxx ±0.03 ANGULA ±1°	1
JKL TECHNOLOGY CO., LTD.			TITLE	M12 5 PIN MALE A-CODE FOR CABLE.			
			PART NO.	WP-06M2-79-11	DWG.	QC6687	VERSION
							A