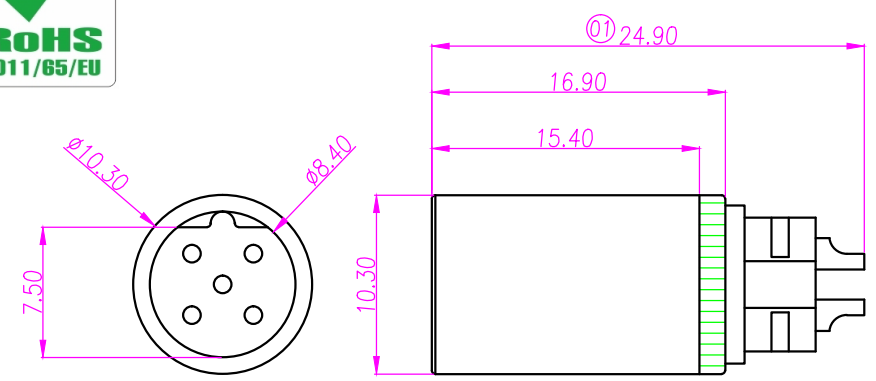
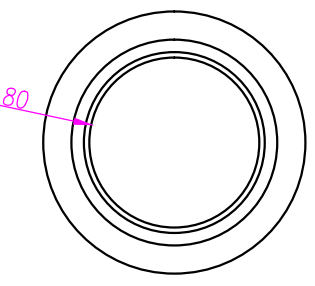
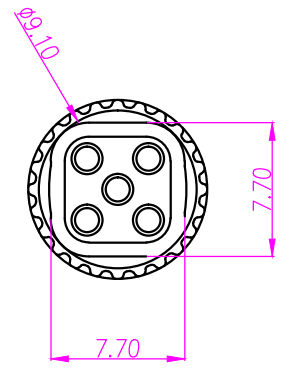




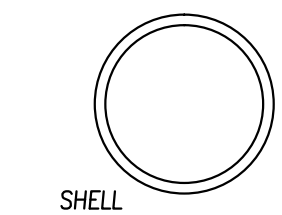
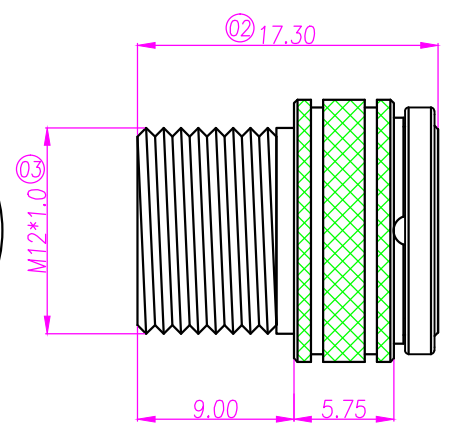
REV.	DESCRIPTION	APPVL. BY	DATE	ECN NO.
A	RELEASE	KUNG	18/02/14*	
B				
C				



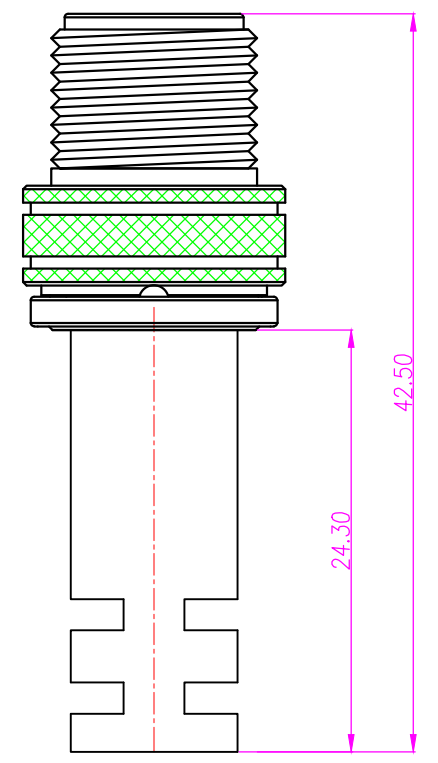
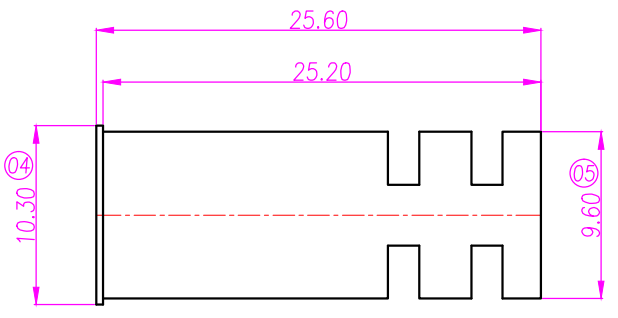
HPUSING & PIN



NUT & anti-vibration detent



SHELL



Assemble

- MATERIAL :
 - 1-1. HOUSING : PA66 ; COLOR : BLACK
 - 1-2. CONTACT : BRASS
 - 1-3. NUT : BRASS
 - 1-4. SHELL : BRASS
- FINISH :
 - 2-1. CONTACT : GOLD PLATED (3u" MAX)
UNDER PLATE : NICKEL (60u" ~ 100u")
 - 2-2. NUT : NICKEL PLATED. (60u" ~ 100u")
 - 2-3. SHELL : NICKEL PLATED. (60u" ~ 100u")
- ELECTRICAL SPECIFICATION :
 - 3-1. Rated current : 5A
 - 3-2. Rated Voltage : 125V
 - 3-3. Water proof : IPX7
- Environmental :
 - 4-1. Operation Temperature : -20C~85C

DRAW	Ku Chou	APPVL	Emily Suen	UNIT	mm	TOLERANCE		JKL TECHNOLOGY CO., LTD.	TITLE	M12 5PIN MALE WATERPROOF CONNECTOR FOR CABLE ,B-CODE			SHEET	
CHECK	Emily Suen			SCALE	1:1	.x ±0.20 .xx ±0.10 .xxx ±0.05 .xxxx ±0.03 ANGULA ±1°			PART NO.	WP-05M2-80-11	DWG NO.	QC6596	VERSION	