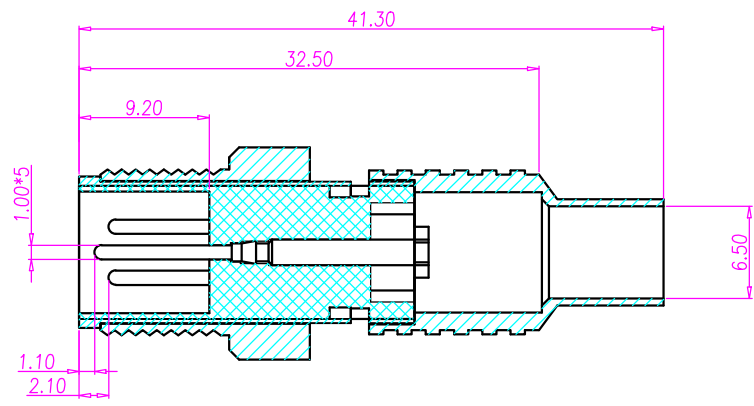
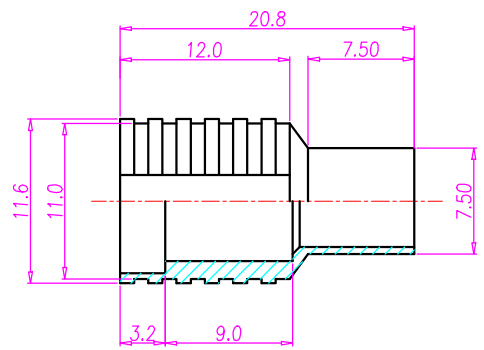
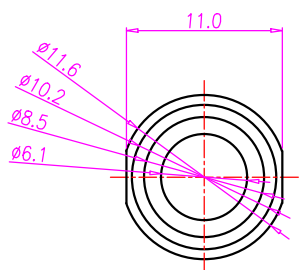
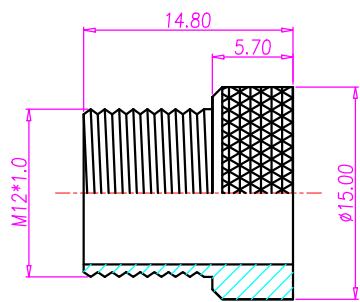
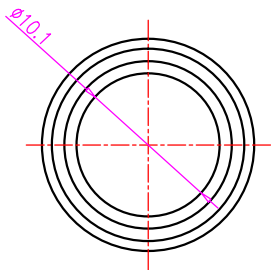
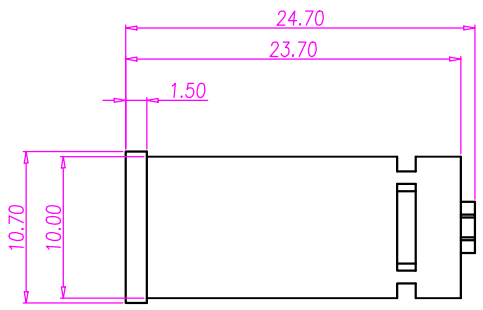
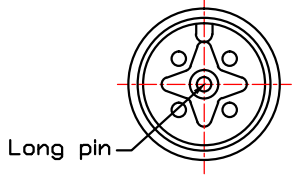




REV.	DESCRIPTION	APPROVED BY	DATE	ECN NO.
A	RELEASE	KUNG	8/7/13'	
B				
C				



1. MATERIAL :
 - 1-1. HOUSING: PBT UL94V-0; COLOR: BLACK.
 - 1-2. CONTACT: BRASS
 - 1-3. NUT: BRASS
 - 1-4. SHELL : BRASS
2. FINISH :
 - 2-1. CONTACT : 10 MICRO INCHES MIN. GOLD PLATED
 - UNDER PLATE : NICKEL
 - 2-2. NUT : NICKEL PLATED.
 - 2-3. SHELL : NICKEL PLATED.
3. ELECTRICAL SPECIFICATION :
 - 3-1. Rated current : 5A
 - 3-2. Rated Voltage :125V
 - 3-3. Water proof : IPX7
4. Environmental :
 - 4-1. Operation Temperature : -20 ℃~85℃

DRAWN	Ku Chou	APP'D	KUNG	UNIT	mm	TOLERANCE		TITLE	M12 5PIN (M) SHIELDED WATERPROOF CONNECTOR FOR CABLE		SHEET	
CHK'D	Emily Suen			SCALE	1:1	.x ±0.20 .xx ±0.10 .xxx ±0.05 .xxxx ±0.03 ANGULA ±1°		PART NO.	WP-05M2-82-11	DWG NO.	QC6720	VERSION
								JKL TECHNOLOGY CO., LTD.				A