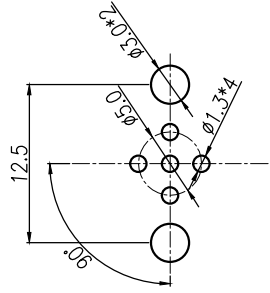
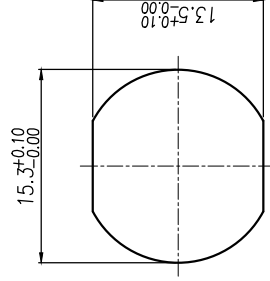
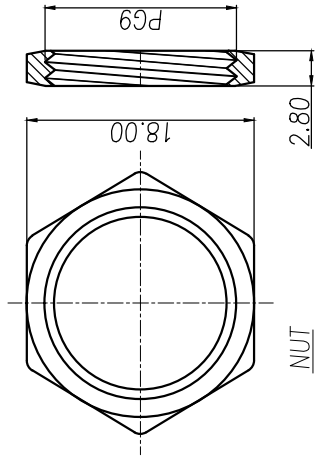
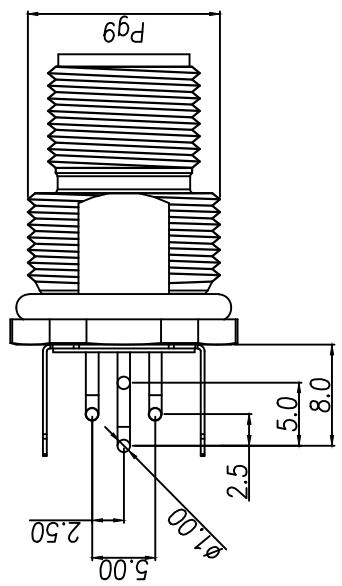
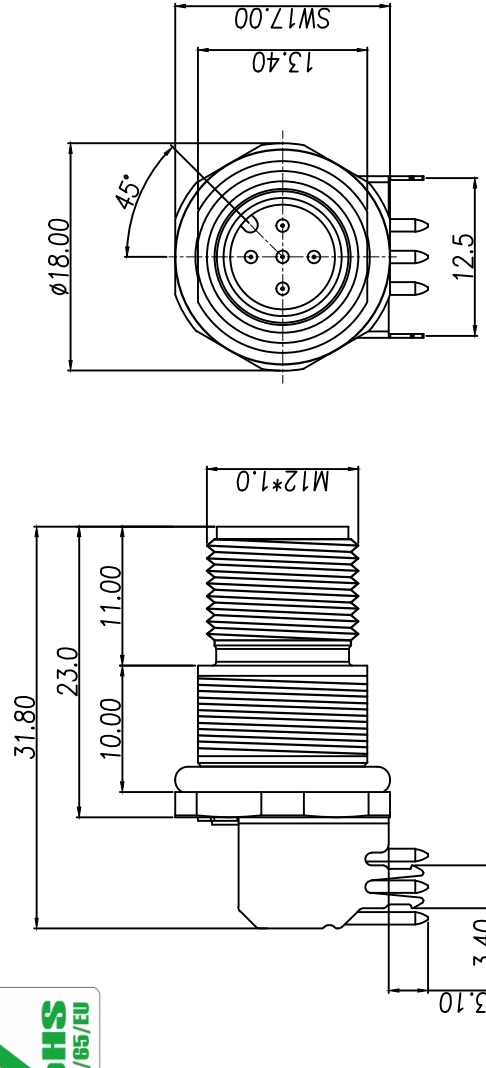


REV.	DESCRIPTION	APPL. BY	DATE	ECN NO.
A	RELEASE	KUNG	2016/10/19	
B				
C				



1. MATERIAL :
- 1-1. HOUSING : PBT UL94V-0 ; COLOR : BLACK
 - 1-2. CONTACT : BRASS.
 - 1-3. NUT : BRASS.
 - 1-4. SHELL : BRASS.
 - 1-5. O-RING : EPDM
 - 1-6. GROUND : PHOSPHOR BRONZE
2. FINISH :
- 2-1. CONTACT : 10 MICRO INCHES MIN. GOLD PLATED UNDER PLATE : NICKEL
 - 2-2. NUT : NICKEL PLATED
 - 2-3. SHELL : NICKEL PLATED
 - 2-4. GROUND : BIRGHT TIN PLATED
3. ELECTRICAL SPECIFICATION :
- 3-1. Rated current : 4A
 - 3-2. Rated Voltage : 250V
 - 3-3. Water proof: IP68 When Un-mated
4. Environmental :
- 4-1. Operation Temperature : -40℃~85℃

RECOMMEND PANEL CUT-OUT RECOMMEND P.C.B LAYOUT

DRAW	CHECK	KU	APPVL	KUNG	UNIT	MM	TOLERANCE	.x ±0.10 .xx ±0.05 .xxx ±0.03 .xxxx ±0.01 ANGULA ±1°			JKL TECHNOLOGY CO., LTD.		TITLE	M12 A-CODE 5P (M) FRONT PANEL MOUNT 90° DIP TYPE.	SHEET	⊕
											PART NO.	WP-05M2-95-11	DWG NO.	QC7311	VERSION	A