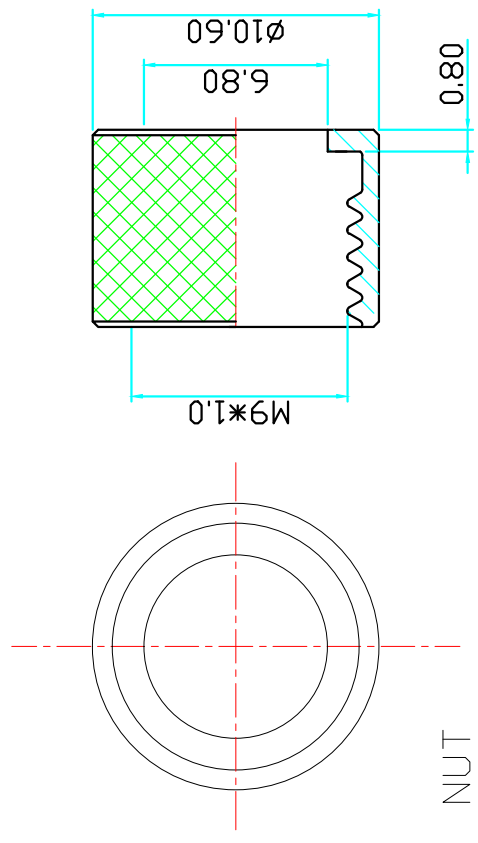
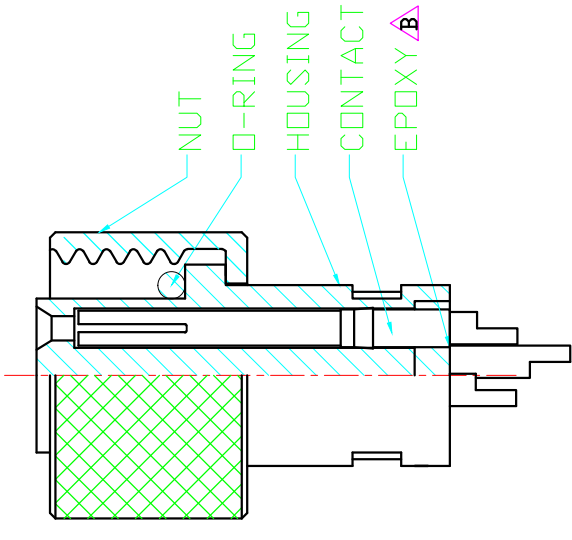
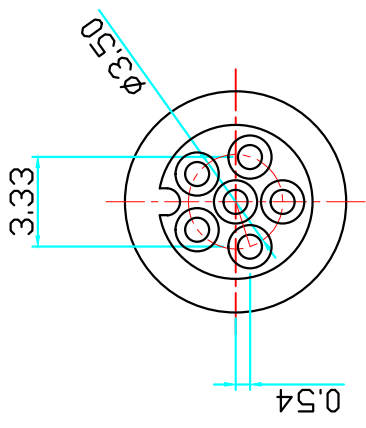
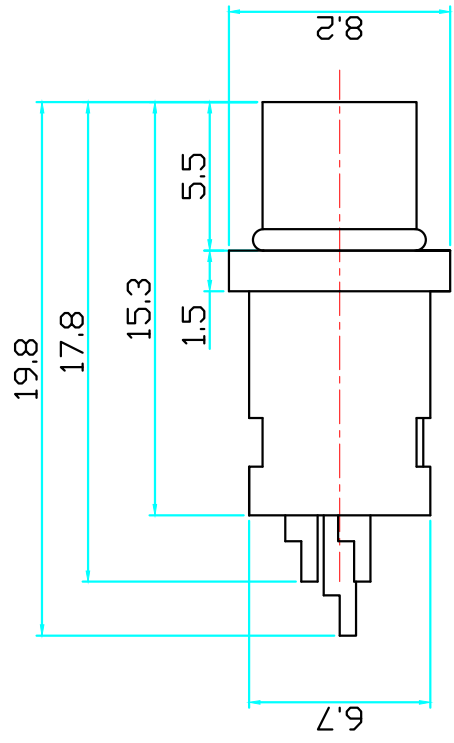


REV.	DESCRIPTION	APPROVED BY	DATE	ECN NO.
A				
B				
C				



1. MATERIAL :
- 1-1. HOUSING : PBT UL94V-0 ; COLOR : BLACK
 - 1-2. CONTACT : BRASS
 - 1-3. O-RING : NBR ; COLOR : BLACK
 - 1-4. NUT : BRASS
2. FINISH :
- 2-1. CONTACT : 10 MICRO INCHES MIN. GOLD PLATED
 - UNDER PLATE : NICKEL
 - 2-2. NUT : NICKEL PLATED.
3. ELECTRICAL SPECIFICATION :
- 3-1. Rated current : 5A
 - 3-2. Rated Voltage : 125V
 - 3-3. Water proof: IPX7
4. Environmental :
- 4-1. Operation Temperature : -20 ℃~85℃

DRAWN	NEIL	APP'D	KUNG	UNIT	mm	TOLERANCE	x ±0.20 .xx ±0.10 .xxx ±0.05 .xxxx ±0.03 ANGULA ±1°	TITLE	M9 6PIN FEMALE WATERPROOF CONNECTOR FOR CABLE	SHEET	1
CHK'D	TIM			SCALE	1:1			PART NO.	WP-06F2-07	VERSION	A
								DWG.	QC3690		

JKL TECHNOLOGY CO., LTD.