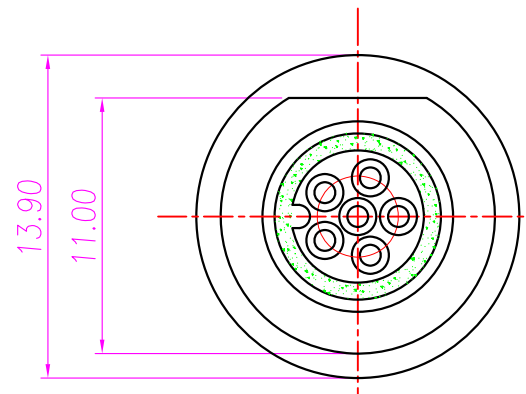
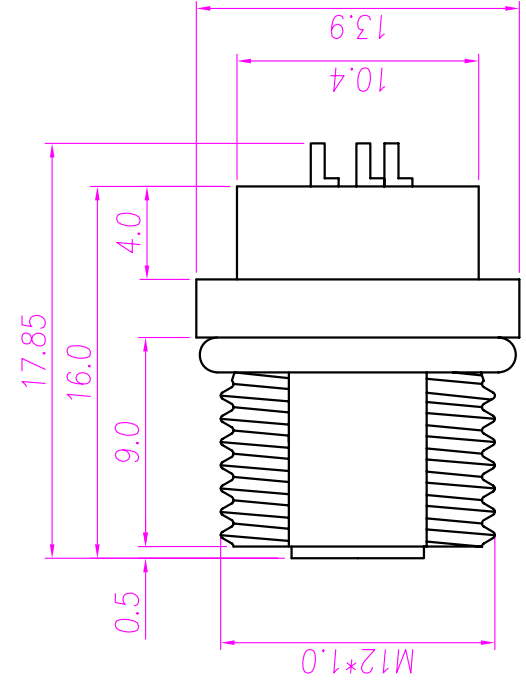
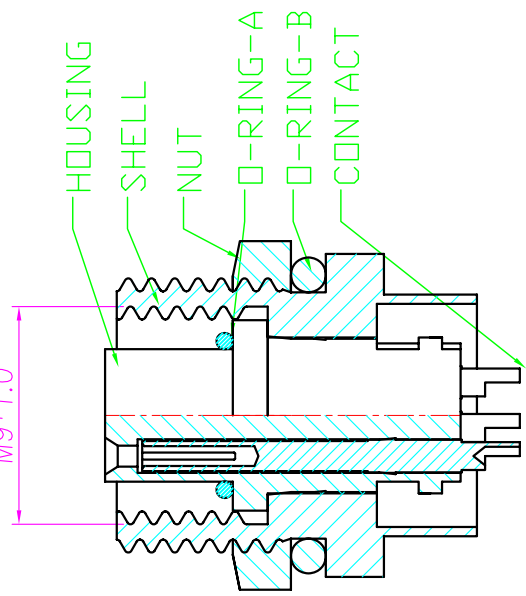
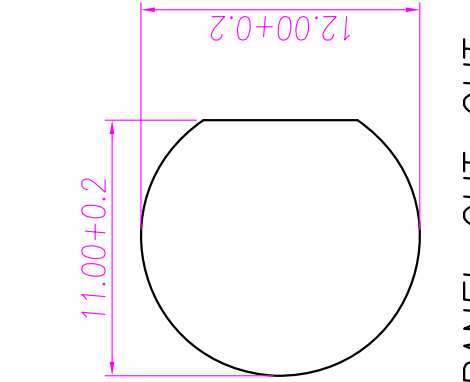


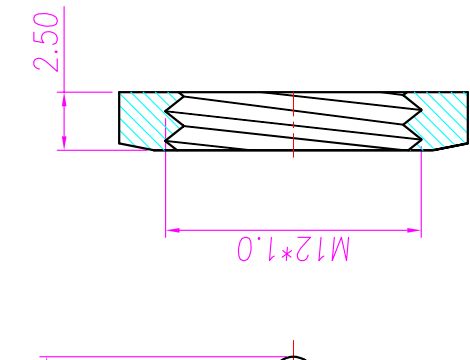
REV.	DESCRIPTION	APPROVED BY	DATE	ECN NO.
A				
B				
C				



- MATERIAL :
 - HOUSING : PBT UL94V-0 ; COLOR : BLACK
 - CONTACT : BRASS
 - O-RING A : NBR; COLOR : BLACK
 - O-RING B : EPDM ; COLOR : BLACK
 - NUT : BRASS
- FINISH :
 - CONTACT : 10 MICRO INCHES MIN. GOLD PLATED UNDER PLATE : NICKEL
 - NUT : NICKEL PLATED 60u" ~ 100u" OVER ALL
 - SHELL : NICKEL PLATED 60u" ~ 100u" OVER ALL
- ELECTRICAL SPECIFICATION :
 - Rated current : 5A
 - Voltage :125V
 - Water proof: IPX7
- Environmental :
 - Operation Temperature : -20 ~85c



PANEL CUT-OUT



NUT

DRAWN	CHK'D	KU	APP'D	TOLERANCE	UNIT	SCALE	TITILE	PART NO.	DWG NO.	QC3692	SHEET
				±0.25 ±0.20 ±0.05 ±0.03 ANGULA ±1°							mm
JKL TECHNOLOGY CO., LTD.							M9 6 PIN FEMALE FRONT PANEL MOUNT	WP-06F2-08			A