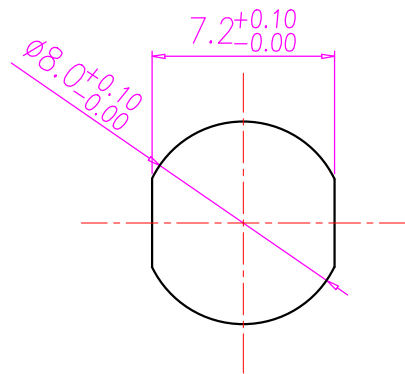
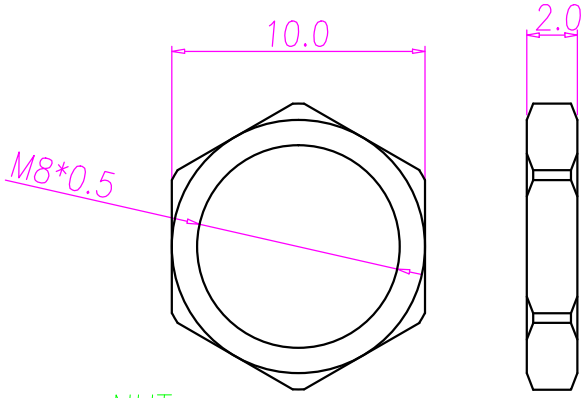
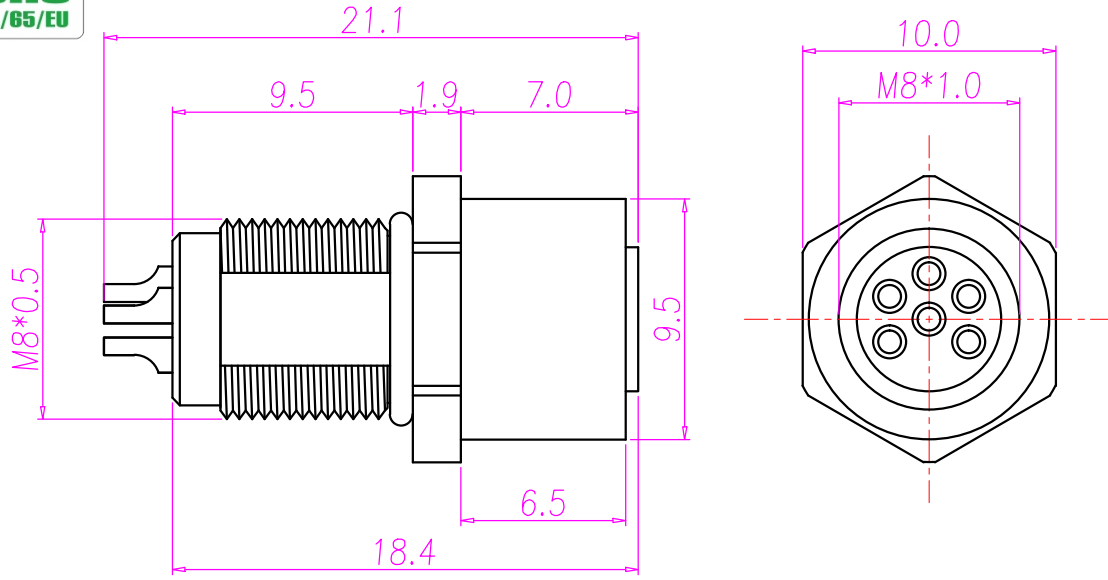




REV.	DESCRIPTION	APPVL. BY	DATE	ECN NO.
A	RELEASE	KUNG	10/01/13*	
B				
C				



NUT

RECOMMENDPANEL CUT-OUT

NOTE:

- MATERIAL :
  - 1-1. HOUSING : PBT UL94V-0 ; COLOR : BLACK
  - 1-2. CONTACT : BRASS.
  - 1-3. SHELL : BRASS.
  - 1-4. NUT : BRASS.
  - 1-5. O-RING : EPDM ; COLOR : BLACK
- FINISH :
  - 2-1. CONTACT : GOLD FLISH
  - 2-2. SHELL : NICKEL PLATED.
  - 2-3. NUT : NICKEL PLATED.
- ELECTRICAL SPECIFICATION :
  - 3-1. Rated current : 3A
  - 3-2. Rated Voltage : 60V
  - 3-3. Water proof : IP67
- Environmental :
  - 4-1. Operation Temperature : -40℃~105℃

DRAW	KU	APPVL	KUNG	UNIT	mm	TOLERANCE		TITLE	M8 6PIN (F) REAR PANEL MOUNT.			SHEET
CHECK				SCALE	1:1	.x ±0.20 .xx ±0.10 .xxx ±0.05 .xxxx ±0.03 ANGULA ±1°		JKL TECHNOLOGY CO., LTD.	PART NO.	WP-06F2-26	DWG NO.	QC6079
												A