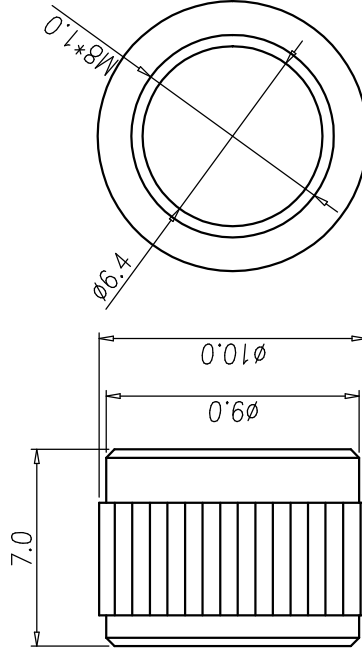
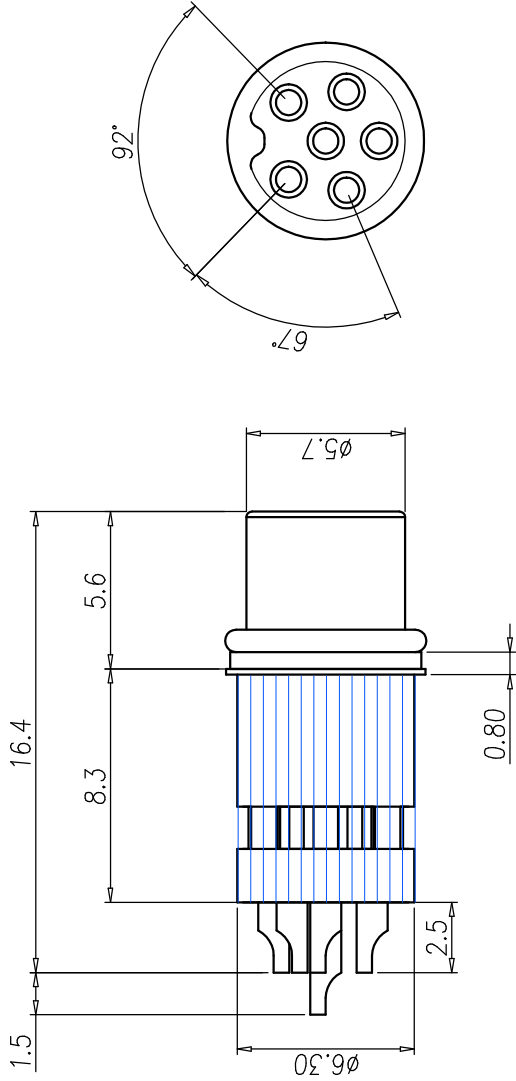




* SUBJECT TO CHANGE WITHOUT NOTICE



NUT

NOTE

1. MATERIAL :
 - 1-1. HOUSING : PA66 UL94V-0 ; COLOR : BLACK
 - 1-2. CONTACT : BRASS
 - 1-3. NUT : BRASS
 - 1-4. O-RING : NBR
 - 1-5. SHELL : BRASS
2. FINISH :
 - 2-1. CONTACT : GOLD 10 MICRO INCHES MIN.
 - 2-2. SHELL : NICKEL PLATED.
 - 2-3. NUT : NICKEL PLATED.
3. ELECTRICAL SPECIFICATION :
 - 3-1. Rated current : 2A
 - 3-2. Rated Voltage : 30V
 - 3-3. Water proof : IP67
4. Environmental :
 - 4-1. Operation Temperature : -40°C~105°C

REV.	DESCRIPTION	APPROVED BY	DATE	ECN NO.
A	RELEASE	KUNG	18/12/17	
B				
C				

DRAWN CHKD	Ku Chou	APPEND	kung	UNIT SCALE	mm 1:1	TOLERANCE x ±0.20 xx ±0.10 xxx ±0.05 xxxx ±0.03 ANGULA ±1°		JKL TECHNOLOGY CO., LTD	TITLE	M8 6PIN (F) SHIELDED FOR CABLE.	SHEET	⊕
	Emily Suen							PART NO.	WP-06F2-53-11	DWG NO.	QC7901	VERSION