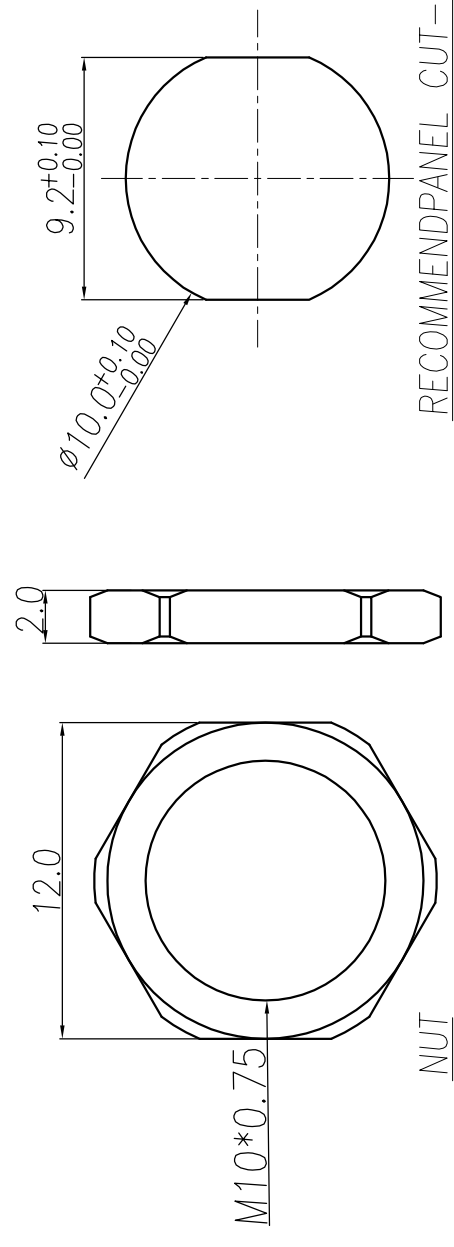
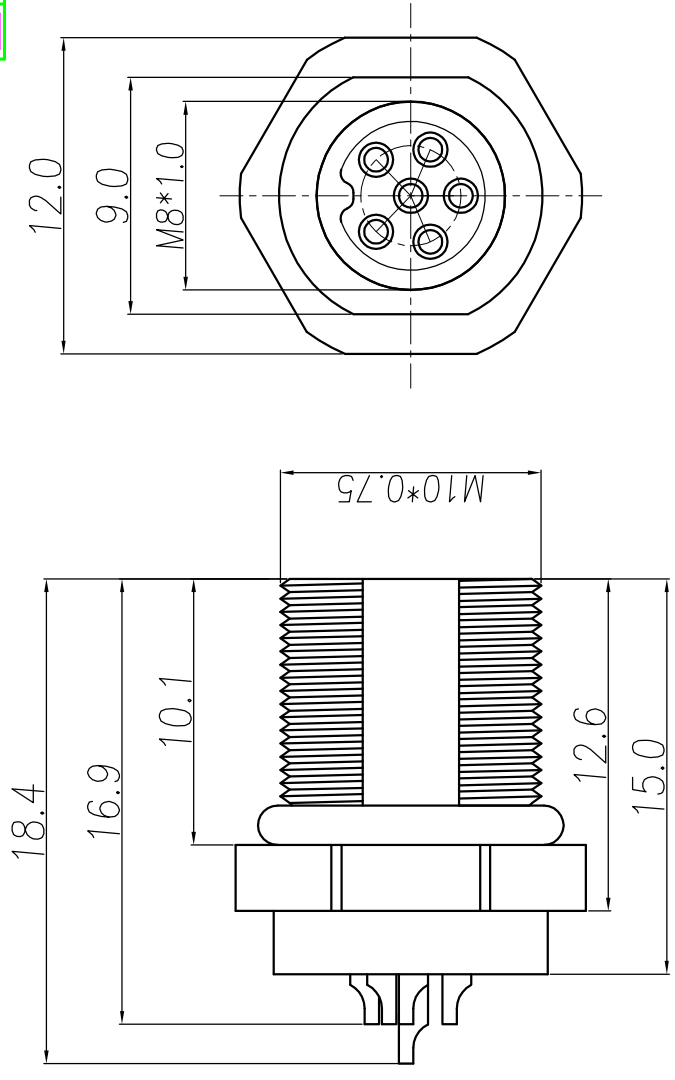


REV.	DESCRIPTION	APPROVED BY	DATE	ECN NO.
A	RELEASE	KUNG	02/10/15*	
B				
C				

\* SUBJECT TO CHANGE WITHOUT NOTICE



NOTE:

- MATERIAL :
  - HOUSING : PA66 ; COLOR : BLACK
  - CONTACT : BRASS.
  - SHELL : BRASS.
  - NUT : BRASS.
  - O-RING : EPDM ; COLOR : BLACK
- FINISH :
  - CONTACT : GOLD FLASH.
  - SHELL : NICKEL PLATED.
  - NUT : NICKEL PLATED.
- ELECTRICAL SPECIFICATION :
  - Rated current : 2A
  - Rated Voltage : 30V
  - Water proof : IP67
- Environmental :
  - Operation Temperature : -40c~105c

RECOMMEND PANEL CUT-OUT

DRAWN	Ku Chou	APP'D	KUNG	UNIT	mm	TOLERANCE	SCALE	VERSION	SHEET
CHK'D	Emily Suen			SCALE	1:1	±0.20 ±0.10 ±0.05 ±0.03 ANGULAR ±1°		A	1
		PART NO.		TITLE		D W G.		QC8226	
		WP-06F2-58-11		M8 6P FEMALE FRONT PANEL MOUNT, SOLDER TYPE.					