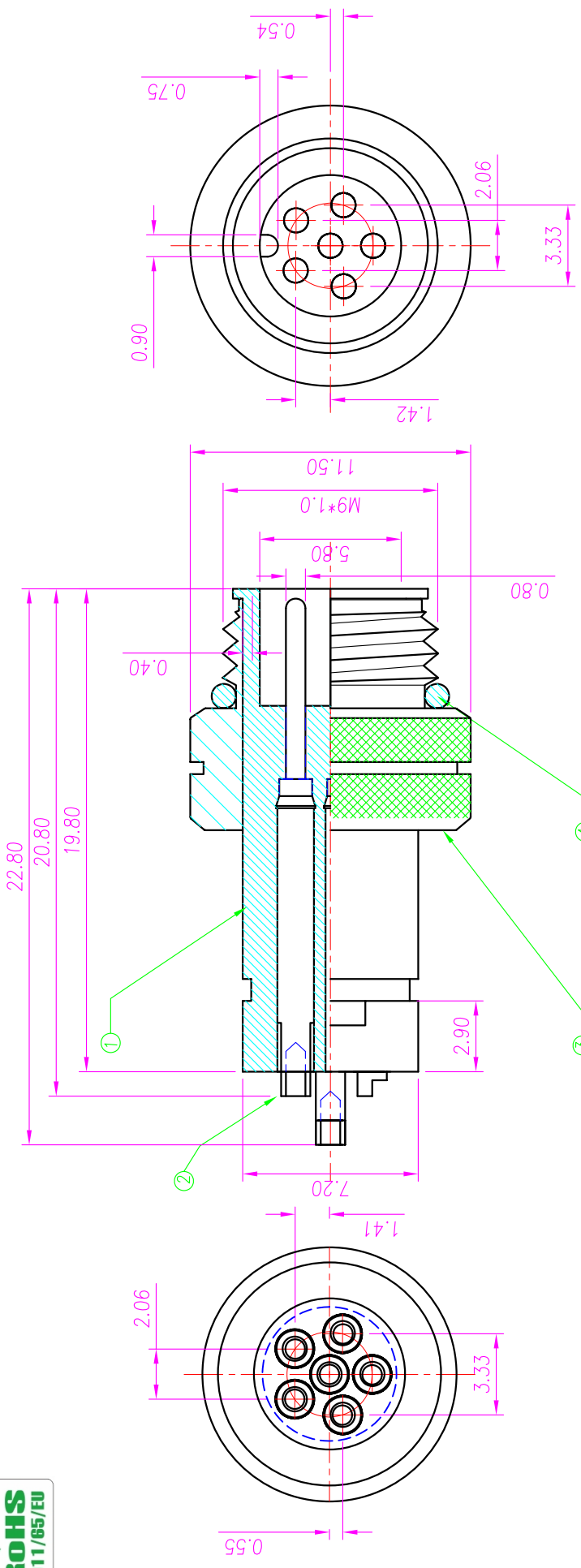


REV.	DESCRIPTION	APPROVED BY	DATE	ECN NO.
A				
B				
C				



1. MATERIAL
INSULATION: THERMOPLASTIC UL94V-0
COLOR: BLACK.
CONTACT: BRASS
SHELL: BRASS

2. PLATING
CONTACT: GOLD 5 μ "
Shell: NICKEL 60 μ "

3. SPECIFICATION
CURRENT: 5 A.
OPERATING TEMPERATURE: -20° C TO 105° C.
INSULATION RESISTANCE: 1000 MEGAOHMS MIN.
DIELECTRIC STRENGTH: 500V AC MIN.

TYPE A

Item	Description	Material	UL File No.
1	Insulation	1403G6	E130155
2	Pin	C3604	
3	Shell	C3604	
4	O-Ring	NBR	

DRAWN	NEIL	APP'D	KUNG	UNIT	mm	TOLERANCE	SHEET
CHK'D	TIM			SCALE	1:1	x ±0.20 xx ±0.10 xxx ±0.05 xxxx ±0.03 ANGULA ±1°	1
							JKL TECHNOLOGY CO., LTD.
							M9 6PIN MALE WATERPROOF CONNECTOR FOR CABLE
							QC3690
							DWG.
							WP-06M2-06
							PART NO.
							VERSION
							A