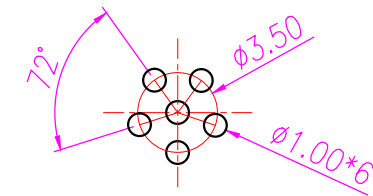
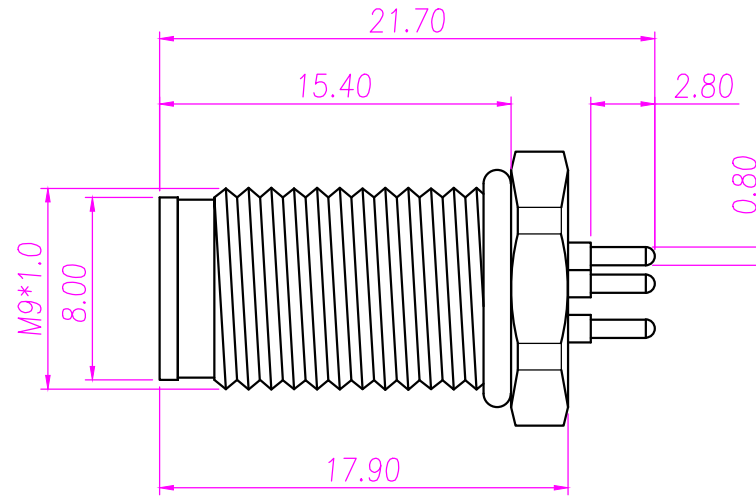
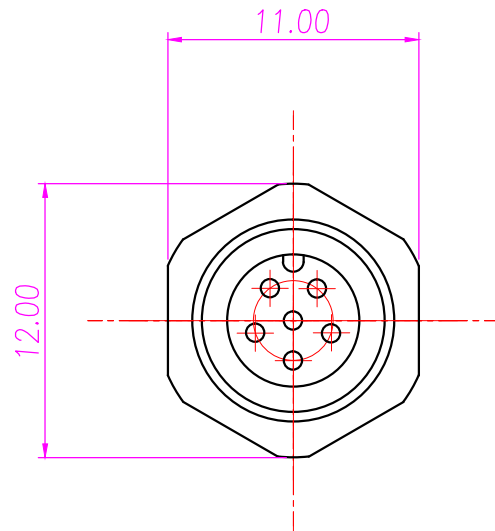
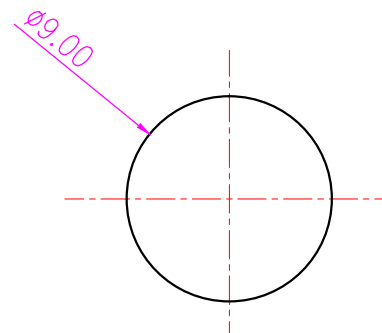
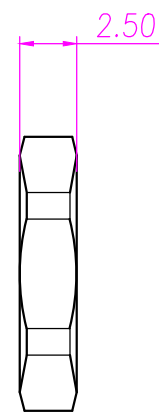
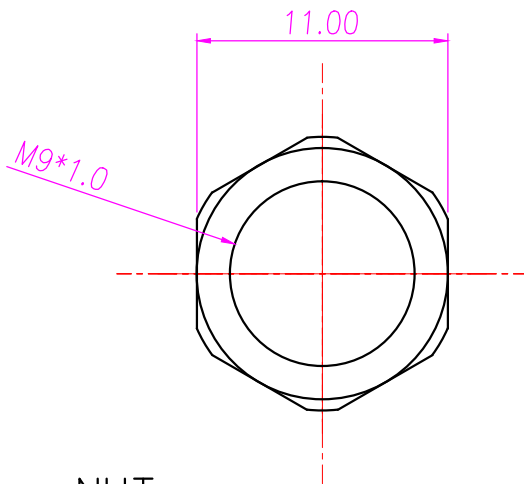




REV.	DESCRIPTION	APPROVED BY	DATE	ECN NO.
A	RELEASE	KUNG	24/09/13*	
B	CHANG MATERIAL	KUNG	10-06-14*	
C				



RECOMMEND P.C.B LAYOUT



PANEL CUT-OUT

- MATERIAL :
 - 1-1. HOUSING : PBT UL94V-0 ; COLOR : BLACK
 - 1-2. CONTACT : BRASS
 - B 1-3. SHELL : Aluminum.
 - 1-4. O-RING : EDPM; COLOR : BLACK
 - B 1-5. NUT : Aluminum.
- FINISH :
 - 2-1. CONTACT : GOLD FLASH PLATED
 - 2-2. SHELL : NICKEL PLATED .
 - 2-3. NUT : NICKEL PLATED .
- ELECTRICAL SPECIFICATION :
 - 3-1. Rated current : 3A
 - 3-2. Rated Voltage : 125V
 - 3-3. Water proof : IPX7
- Environmental :
 - 4-1. Operation Temperature : -20 ℃~85℃

NUT

DRAWN	KU	APP'D	KUNG	UNIT	mm	TOLERANCE		JKL TECHNOLOGY CO., LTD.	TITLE	M9 6PIN (M) FRONT PANEL MOUNT ,ALUMINUM, DIP TYPE.	SHEET	
CHK'D				SCALE	1:1	.x ±0.20 .xx ±0.10 .xxx ±0.05 .xxxx ±0.03 ANGULA ±1°			PART NO.	WP-06M2-32-11	DWG NO.	