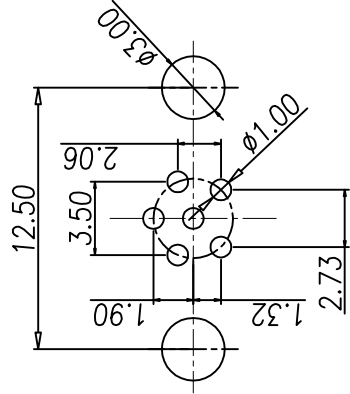
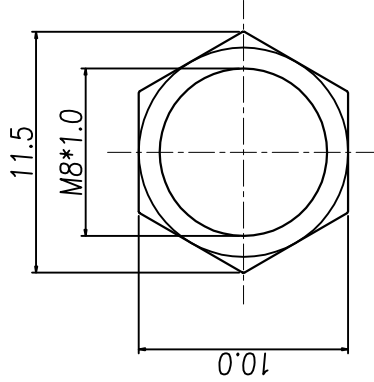
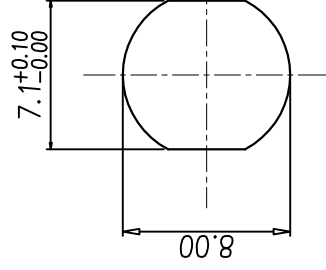
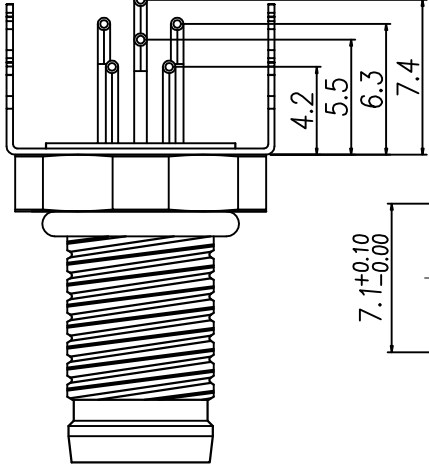
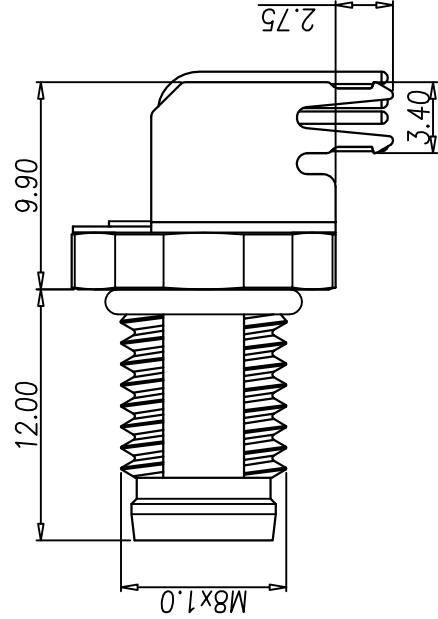
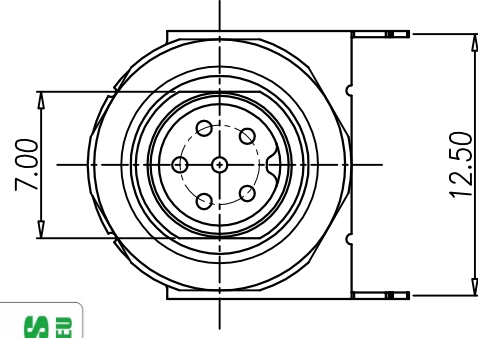
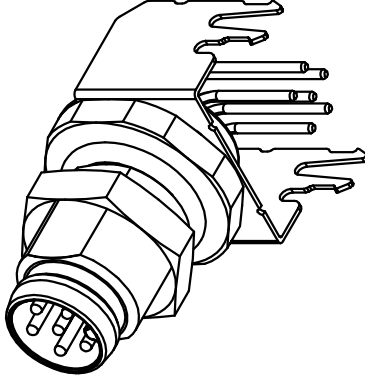




\* SUBJECT TO CHANGE WITHOUT NOTICE



P.C.B LAYOUT



- MATERIAL :
  - HOUSING : PA UL94V-0 ; COLOR : BLACK
  - CONTACT : BRASS.
  - NUT : BRASS.
  - SHELL : BRASS.
  - O-RING : NBR
  - GROUND : PHOSPHOR BRONZE
- FINISH :
  - CONTACT : 10 MICRO INCHES MIN. GOLD PLATED  
UNDER PLATE : NICKEL
  - NUT : NICKEL PLATED
  - SHELL : NICKEL PLATED
  - GROUND : BIRGHT TIN PLATED
- ELECTRICAL SPECIFICATION :
  - Rated current : 2A
  - Rated Voltage : 30V
  - Water proof: IP67
- Environmental :
  - Operation Temperature : -40°C~85°C

RECOMMENDPANEL CUT-OUT

NUT

REV.	DESCRIPTION	APPROVED BY	DATE	ECN NO.
A	RELEASE	KUNG	2016/10/19	
B				
C				

DRAWN CHKED	Ku Chou	APPEND	kung	UNIT	mm	TOLERANCE	x ±0.20 .xx ±0.10 .xxx ±0.05 .xxxx ±0.03 ANGLA ±1°		JKL TECHNOLOGY CO., LTD	TITLE	M8 6PIN 90° M FRONT PANEL MOUNT , DIP TYPE.	SHEET	⊕
	Emily Suen			SCALE	1:1	RECOMMENDPANEL CUT-OUT			PART NO.	WP-06M3-01-11	DWG NO.	QC7658	VERSION