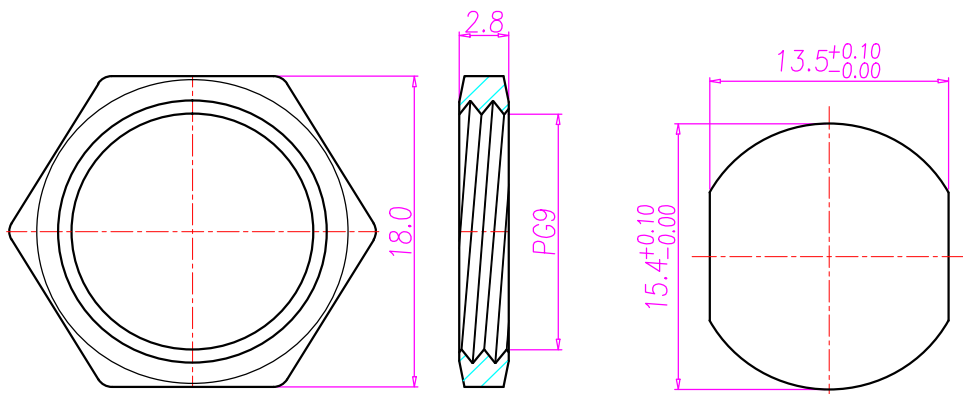
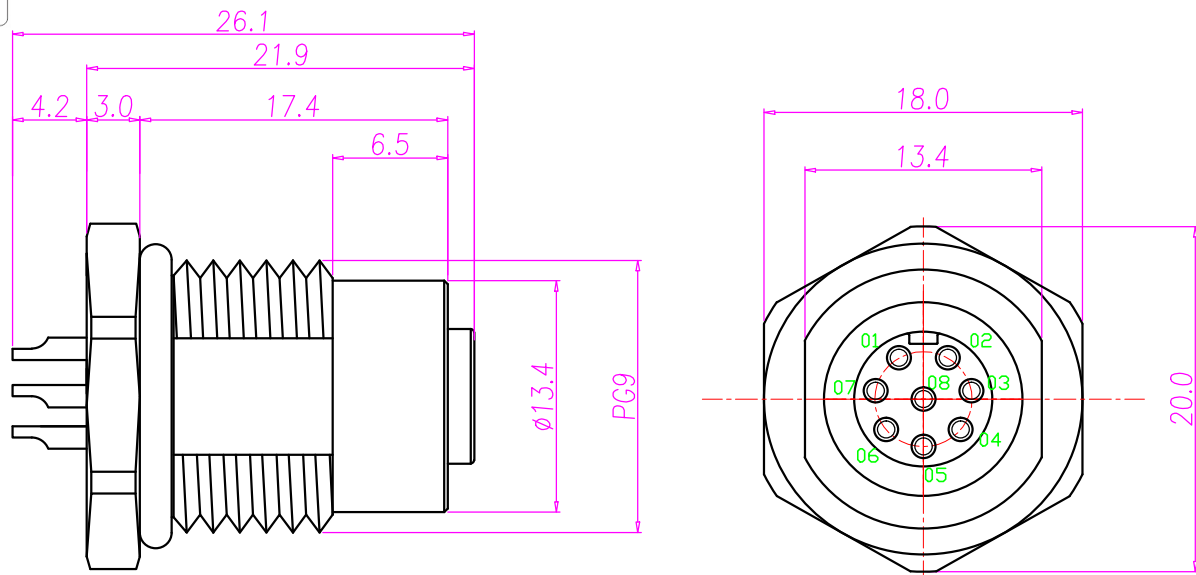




REV.	DESCRIPTION	APPROVED BY	DATE	ECN NO.
A	RELEASE	Fido Weng	17/11/10*	
B				
C				



NUT

RECOMMEND PANEL CUT-OUT

1. MATERIAL :
  - 1-1. HOUSING : PBT UL94V-0 ; COLOR : BLACK
  - 1-2. CONTACT : BRASS
  - 1-3. NUT : BRASS
  - 1-4. SHELL : BRASS
  - 1-5. O-RING : EPDM
2. FINISH :
  - 2-1. CONTACT : GOLD FLASH.  
UNDER PLATE : NICKEL
  - 2-2. NUT : NICKEL PLATED
  - 2-3. SHELL : NICKEL PLATED
3. ELECTRICAL SPECIFICATION :
  - 3-1. Rated current : 5A
  - 3-2. Rated Voltage : 125V
  - 3-3. Water proof: IPX7
4. Environmental :
  - 4-1. Operation Temperature : -40°C~85°C

DRAWN	Ku Chou	APPEND	KUNG	UNIT	mm	TOLERANCE		JKL TECHNOLOGY CO., LTD.	TITLE	M12 8PIN FEMALE FRONT PANEL MOUNT (PG9)			SHEET	1
CHOKED	Emily Suen			SCALE	1:1	.x ±0.20 .xx ±0.10 .xxx ±0.05 .xxxx ±0.03 ANGULA ±1°			PART NO.	WP-08F2-34	DWG NO.	QC5896	VERSION	A