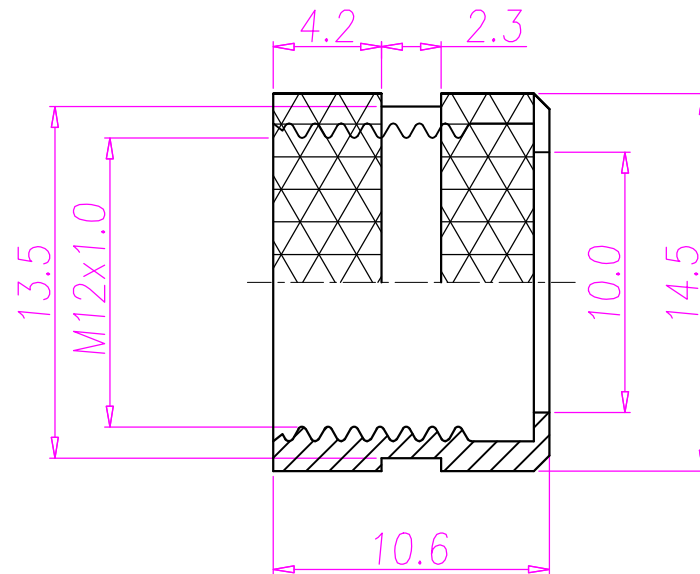
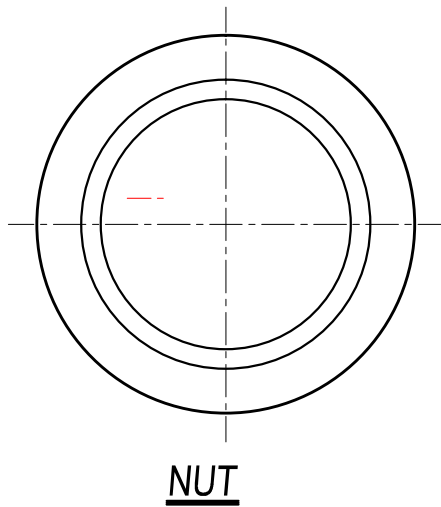
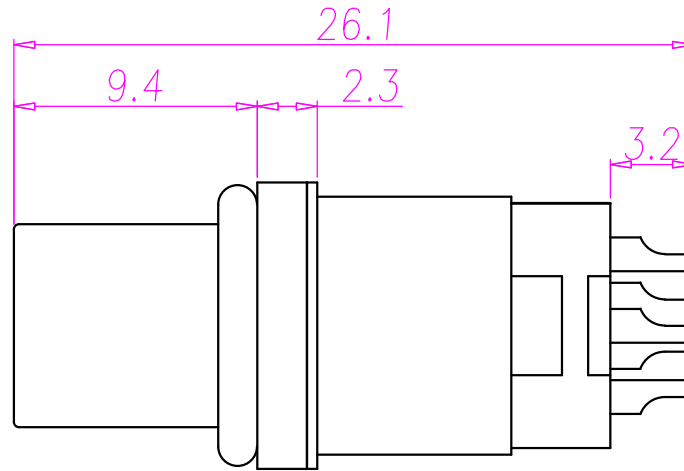
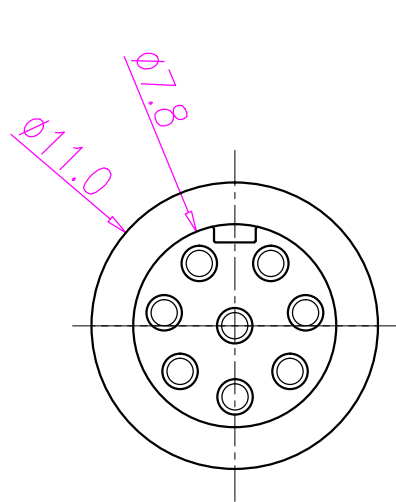




| REV. | DESCRIPTION | APPROVED BY | DATE      | ECN NO. |
|------|-------------|-------------|-----------|---------|
| A    | RELEASE     | kung        | 20/12/10' |         |
| B    |             |             |           |         |
| C    |             |             |           |         |



- MATERIAL :
  - 1-1. HOUSING : PBT UL94V-0 ; COLOR : BLACK
  - 1-2. CONTACT : BRASS
  - 1-3. NUT : BRASS
  - 1-4. O-RING : EPDM ; COLOR : BLACK
  - 1-5. SHELL : BRASS
- FINISH :
  - 2-1. CONTACT : GOLD FLASH.  
UNDER PLATE : NICKEL
  - 2-2. NUT : NICKEL PLATED .
  - 2-3. SHELL : NICKEL PLATED .
- ELECTRICAL SPECIFICATION :
  - 3-1. Rated current : 5A
  - 3-2. Rated Voltage :125V
  - 3-3. Water proof: IPX7
- Environmental :
  - 4-1. Operation Temperature : -40°C~85°C

|        |            |        |      |       |     |  |  |                          |          |  |         |        |         |  |
|--------|------------|--------|------|-------|-----|--|--|--------------------------|----------|--|---------|--------|---------|--|
| DRAWN  | Ku Chou    | APPEND | KUNG | UNIT  | mm  | TOLERANCE  |  | JKL TECHNOLOGY CO., LTD. | TITLE    | M12 8P (F) SHIELDED WATERPROOF CONNECTOR FOR CABLE |         |        | SHEET   |  |
| CHOKED | Emily Suen |        |      | SCALE | 1:1 | .x ±0.20<br>.xx ±0.10<br>.xxx ±0.05<br>.xxxx ±0.03<br>ANGULA ±1° |  |                          | PART NO. | WP-08F2-42   | DWG NO. | QC6164 | VERSION |  |