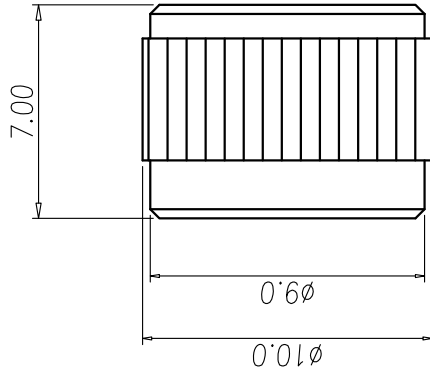
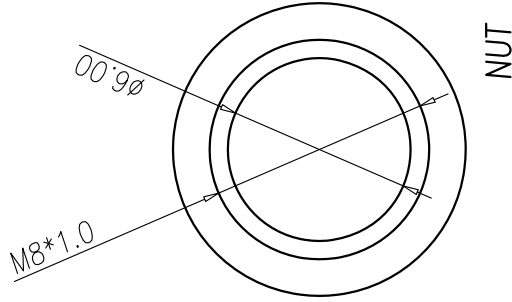
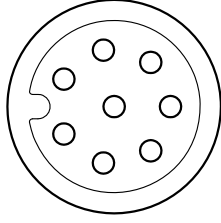
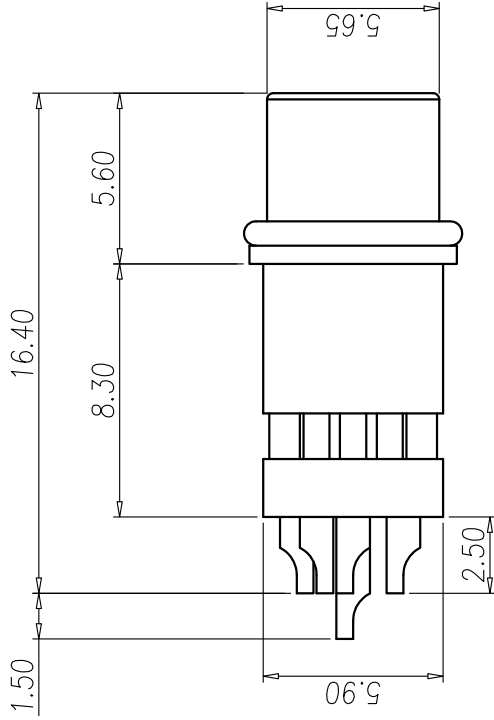




* SUBJECT TO CHANGE WITHOUT NOTICE



NOTE

1. MATERIAL :
 - 1-1. HOUSING : PA66 UL94V-0 ; COLOR : BLACK
 - 1-2. CONTACT : BRASS.
 - 1-3. NUT : BRASS
 - 1-4. O-RING : NBR
2. FINISH :
 - 2-1. CONTACT : GOLD FLASH.
 - 2-2. NUT : NICKEL PLATED.
3. ELECTRICAL SPECIFICATION :
 - 3-1. Rated current : 1.5A
 - 3-2. Rated voltage : 30V
 - 3-3. Water proof : IP67
4. Environmental :
 - 4-1. Operation Temperature : -40℃~105℃

REV.	DESCRIPTION	APPROVED BY	DATE	ECN NO.
A	RELEASE	KUNG	2016/10/19	
B				
C				

DRAWN CHKD	Ku Chou	kung	UNIT SCALE	TOLERANCE x ±0.20 xx ±0.10 xxx ±0.05 xxxx ±0.03 ANGULA ±1°	JKL TECHNOLOGY CO., LTD	TITLE	M8 8PIN (F) WATERPROOF CONNECTOR FOR CABLE.	SHEET	⊕
	Emly Suen					APPEND	PART NO.	WP-08F2-68-11	DWG NO.