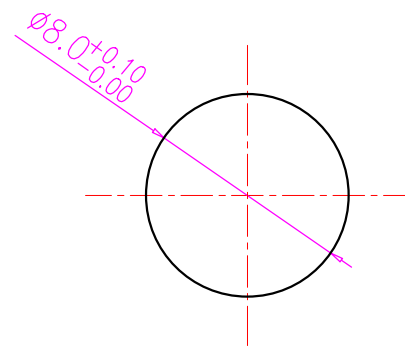
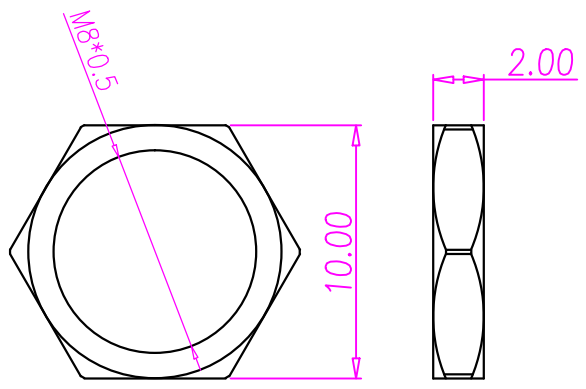
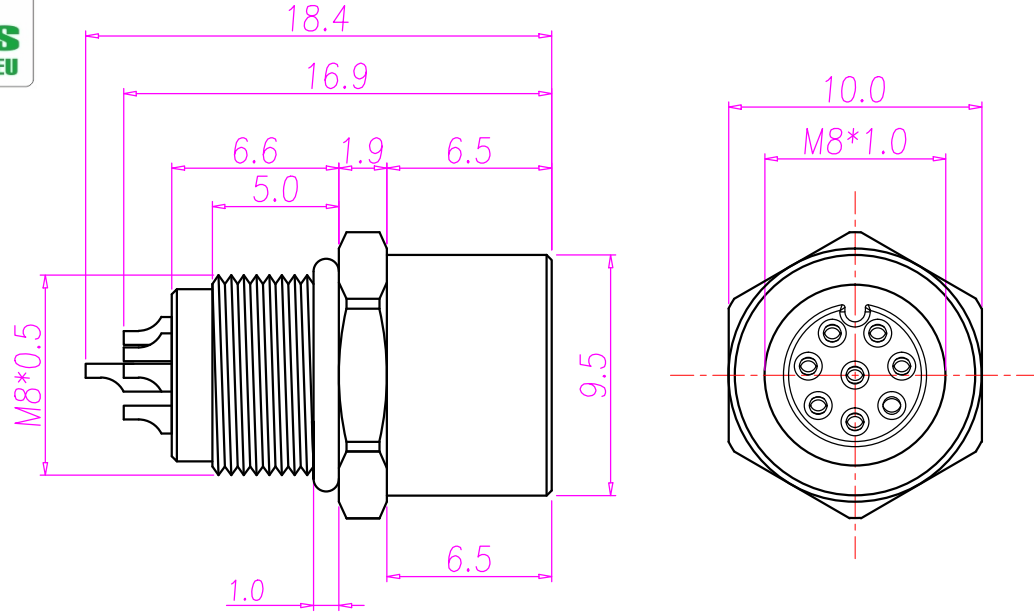




REV.	DESCRIPTION	APPVL. BY	DATE	ECN NO.
A	RELEASE	KUNG	06/06/16*	
B				
C				



NOTE:

- MATERIAL :
  - 1-1. HOUSING : PA66 ; COLOR : BLACK
  - 1-2. CONTACT : BRASS.
  - 1-3. SHELL : BRASS.
  - 1-4. NUT : BRASS.
  - 1-5. O-RING : EPDM ; COLOR : BLACK
- FINISH :
  - 2-1. CONTACT : GOLD FLASH.
  - 2-2. SHELL : NICKEL PLATED.
  - 2-3. NUT : NICKEL PLATED.
- ELECTRICAL SPECIFICATION :
  - 3-1. Rated current : 1A
  - 3-2. Rated Voltage : 30V
  - 3-3. Water proof : IP67
- Environmental :
  - 4-1. Operation Temperature : -40℃~105℃

NUT

RECOMMEND PANEL CUT-OUT

DRAW	KU	APPVL	KUNG	UNIT	mm	TOLERANCE		JKL TECHNOLOGY CO., LTD.	TITLE	M8 8PIN (F) REAR PANEL MOUNT.			SHEET
CHECK				SCALE	1:1	.x ±0.20 .xx ±0.10 .xxx ±0.05 .xxxx ±0.03 ANGULA ±1°			PART NO.	WP-08F2-76-11	DWG NO.	QC7511	VERSION