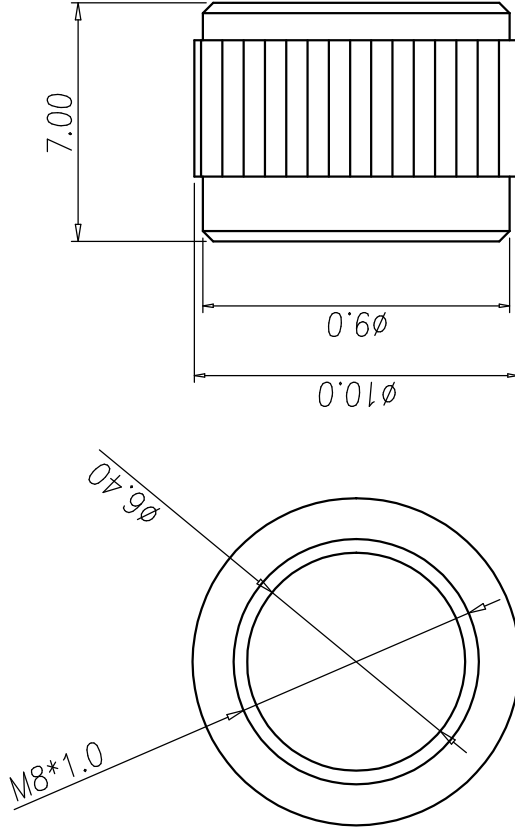
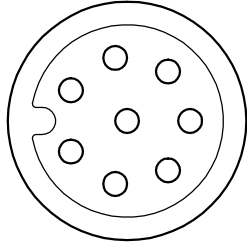
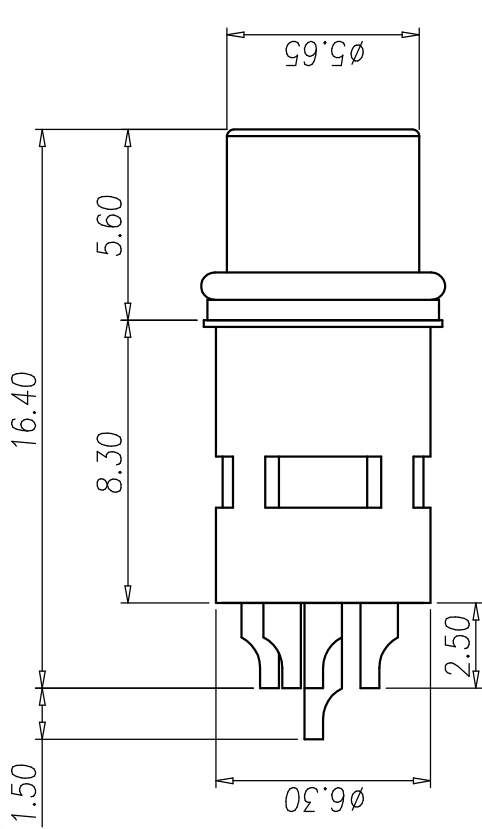




* SUBJECT TO CHANGE WITHOUT NOTICE



NUT

NOTE

1. MATERIAL :
 - 1-1. HOUSING : PA66 UL94V-0 ; COLOR : BLACK
 - 1-2. CONTACT : BRASS.
 - 1-3. NUT : BRASS
 - 1-4. O-RING : NBR
 - 1-5. SHELL : BRASS.
2. FINISH :
 - 2-1. CONTACT : GOLD FLASH.
 - 2-2. NUT : NICKEL PLATED.
 - 2-3. SHELL : NICKEL PLATED.
3. ELECTRICAL SPECIFICATION :
 - 3-1. Rated current : 1.5A
 - 3-2. Rated voltage : 30V
 - 3-3. Water proof : IP67
4. Environmental :
 - 4-1. Operation Temperature : -40°C~105°C

REV.	DESCRIPTION	APPROVED BY	DATE	ECN NO.
A	RELEASE	KUNG	18/12/17	
B				
C				

DRAWN		APPEND		TITLE		SHEET	
Ku Chou	kung	JKL TECHNOLOGY CO., LTD		M8 8PIN (F) SHIELDED FOR CABLE.		④	
CHKED Emily Suen				PART NO. WP-08F2-92-11		VERSION A	
				DWG NO. QC8243			

TOLERANCE	UNIT	SCALE
±0.20	mm	1:1
±0.10		
±0.05		
±0.03		
ANGULA ±1°		