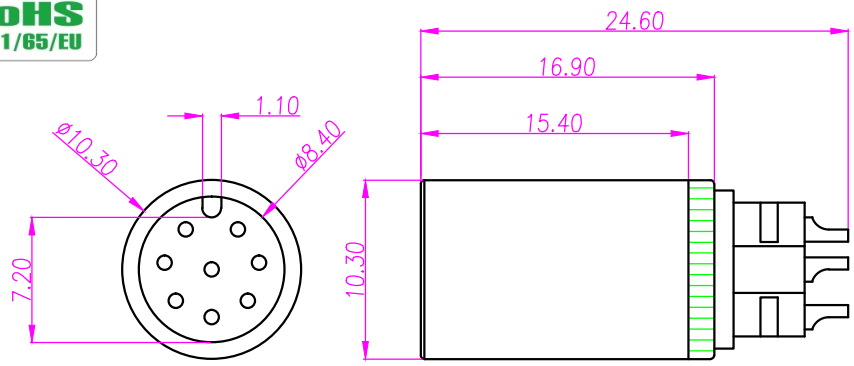
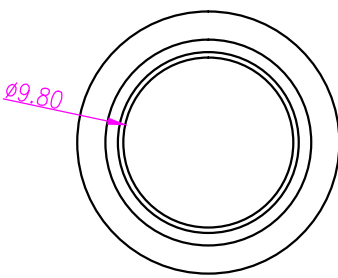
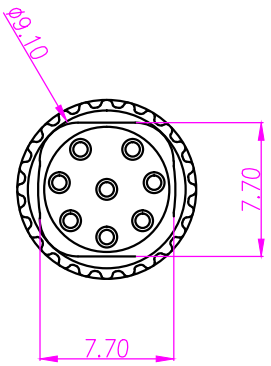




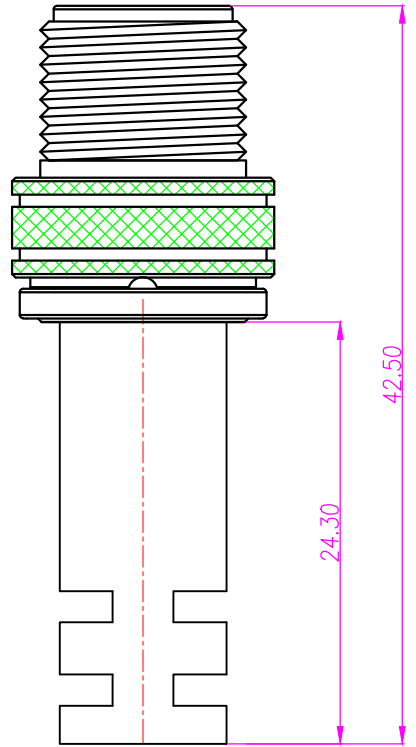
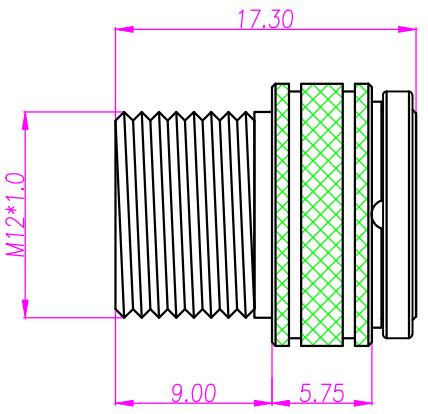
| REV. | DESCRIPTION | APPVL. BY | DATE      | ECN NO. |
|------|-------------|-----------|-----------|---------|
| A    | RELEASE     | KUNG      | 18/02/14* |         |
| B    |             |           |           |         |
| C    |             |           |           |         |



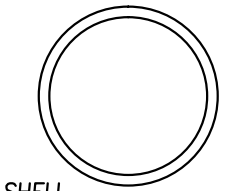
HPUSING & PIN



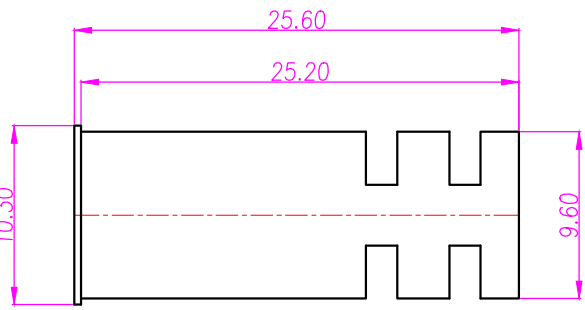
NUT & anti-vibration detent



Assemble



SHELL



- MATERIAL :
  - 1-1. HOUSING : PA66 ; COLOR : BLACK
  - 1-2. CONTACT : BRASS
  - 1-3. NUT : BRASS
  - 1-4. SHELL : BRASS
- FINISH :
  - 2-1. CONTACT : GOLD PLATED
  - UNDER PLATE : NICKEL
  - 2-2. NUT : NICKEL PLATED.
  - 2-3. SHELL : NICKEL PLATED.
- ELECTRICAL SPECIFICATION :
  - 3-1. Rated current : 5A
  - 3-2. Rated Voltage : 125V
  - 3-3. Water proof : IPX7
- Environmental :
  - 4-1. Operation Temperature : -20°C~85°C

|       |            |       |      |       |     |  |  |                         |          |                             |         |        |         |
|-------|------------|-------|------|-------|-----|--|--|-------------------------|----------|-----------------------------|---------|--------|---------|
| DRAW  | Ku Chou    | APPVL | KUNG | UNIT  | mm  | TOLERANCE  |  | JKL TECHNOLOGYCO., LTD. | TITLE    | M12 8PIN(M)A-CODE FOR CABLE |         |        | SHEET   |
| CHECK | Emily Suen |       |      | SCALE | 1:1 | .x ±0.20<br>.xx ±0.10<br>.xxx ±0.05<br>.xxxx ±0.03<br>ANGULA ±1° |  |                         | PART NO. | WP-08M2-41-11               | DWG NO. | QC6582 | VERSION |