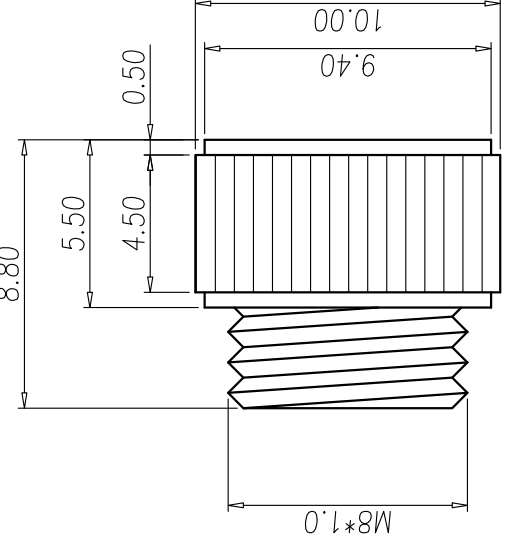
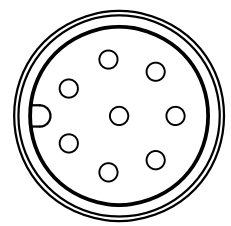
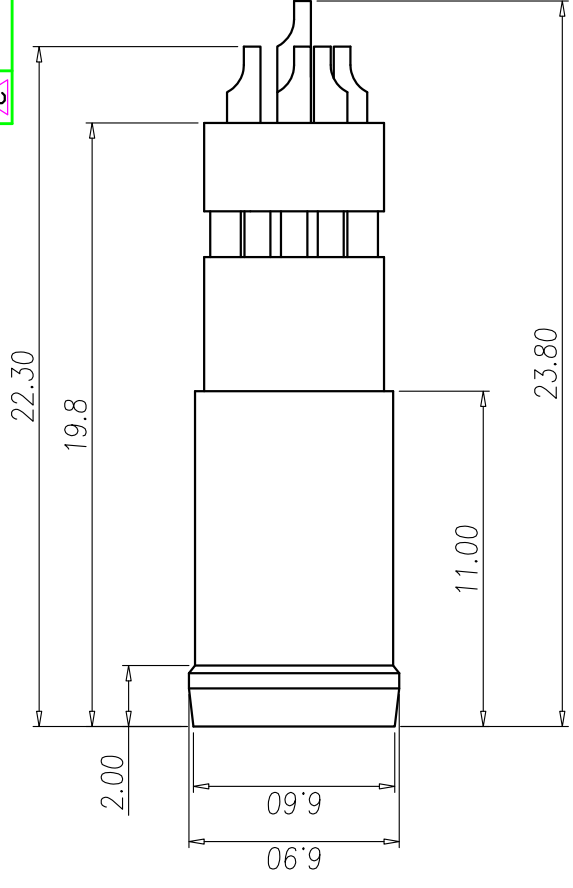
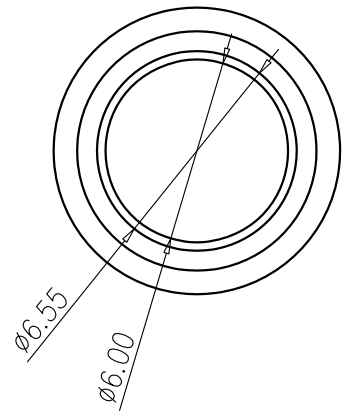


REV.	DESCRIPTION	APPROVED BY	DATE	ECN NO.
A	RELEASE	KUNG	19/03/12*	
B				
C				

\* SUBJECT TO CHANGE WITHOUT NOTICE



NUT



NOTE

- MATERIAL :
  - 1-1. HOUSING : PA66 UL94V-0 ; COLOR : BLACK
  - 1-2. CONTACT : BRASS.
  - 1-3. NUT : BRASS
- FINISH :
  - 2-1. CONTACT : GOLD FLASH.
  - 2-2. NUT : NICKEL PLATED.
- ELECTRICAL SPECIFICATION :
  - 3-1. Rated current : 1.5A
  - 3-2. Rated voltage : 30V
  - 3-3. Water proof : IP67
- Environmental :
  - 4-1. Operation Temperature :  $-40^{\circ}\text{C} \sim 105^{\circ}\text{C}$



DRAWN	Ku Chou	APPEND	kung	UNIT	mm	TOLERANCE	x ±0.20 .xx ±0.10 .xxx ±0.05 .xxxx ±0.03 ANGLE ±1°	 	JKL TECHNOLOGY CO., LTD	TITLE	M8 8PIN (M) WATERPROOF CONNECTOR FOR CABLE.	SHEET	④
	CHKED									Emily Suen	PART NO.	WP-08M2-46-11	DWG NO.