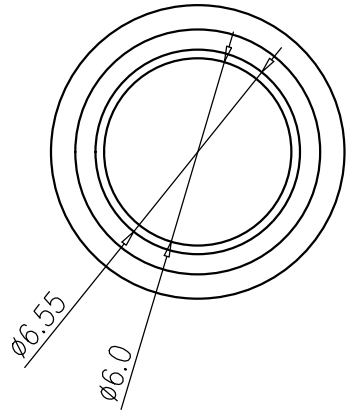
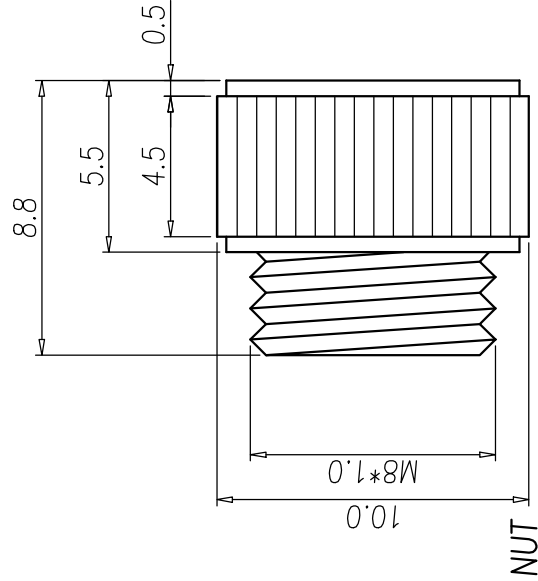
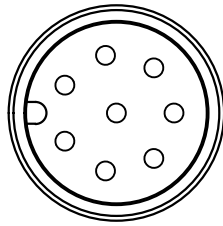
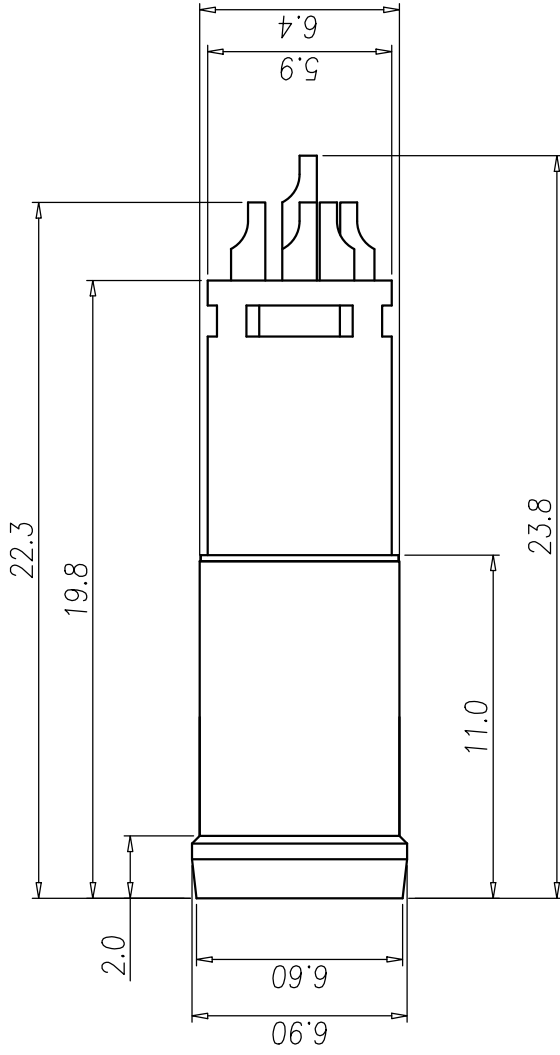




* SUBJECT TO CHANGE WITHOUT NOTICE

REV.	DESCRIPTION	APPROVED BY	DATE	ECN NO.
A	RELEASE	KUNG	18/12/17	
B				
C				



NOTE

- MATERIAL :
 - HOUSING : PA66 UL94V-0 ; COLOR : BLACK
 - CONTACT : BRASS.
 - NUT : BRASS.
 - SHELL : BRASS.
- FINISH :
 - CONTACT : GOLD 10 MICRO INCHES MIN.
 - SHELL : NICKEL PLATED.
 - NUT : NICKEL PLATED.
- ELECTRICAL SPECIFICATION :
 - Rated current : 1A
 - Rated Voltage : 30V
 - Water proof : IP67
- Environmental :
 - Operation Temperature : -40°C~105°C

DRAWN CHKD	Ku Chou	APPEND	kung	UNIT SCALE 1:1	TOLERANCE x .x .xx .xxx .xxx ANGULA ±1°	JKL TECHNOLOGY CO., LTD	TITLE	M8 8PIN (M) SHIELDED FOR CABLE.	SHEET ⊕
	Emily Suen						PART NO.	WP-08M2-82-11	