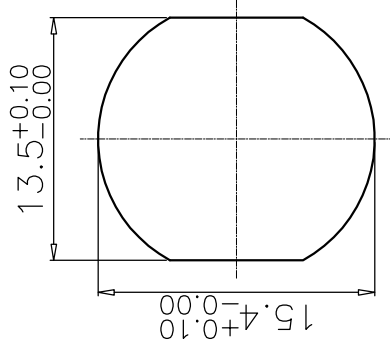
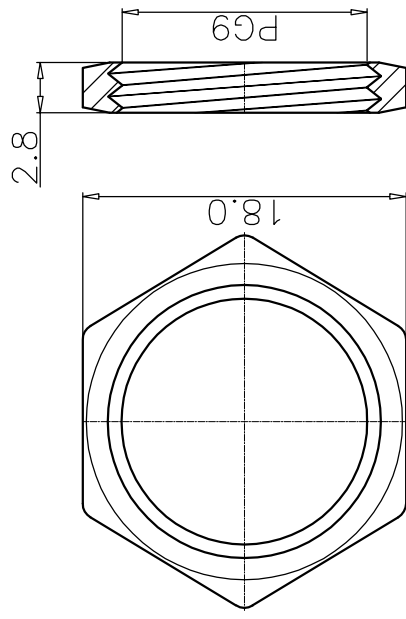
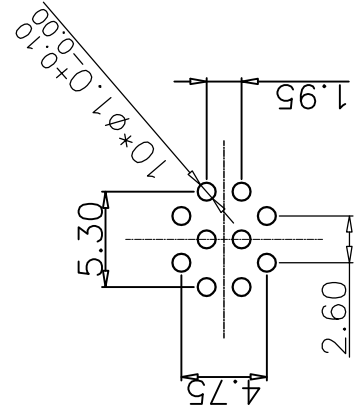
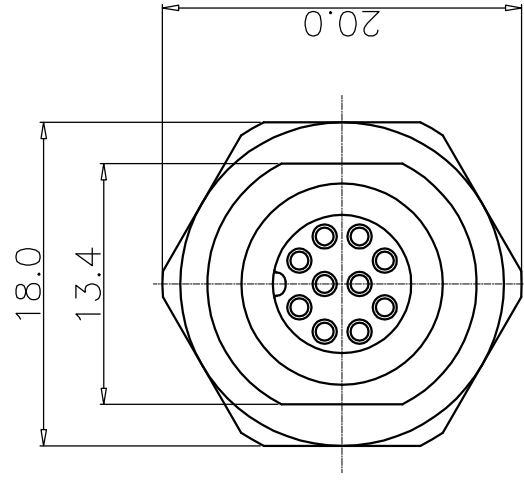
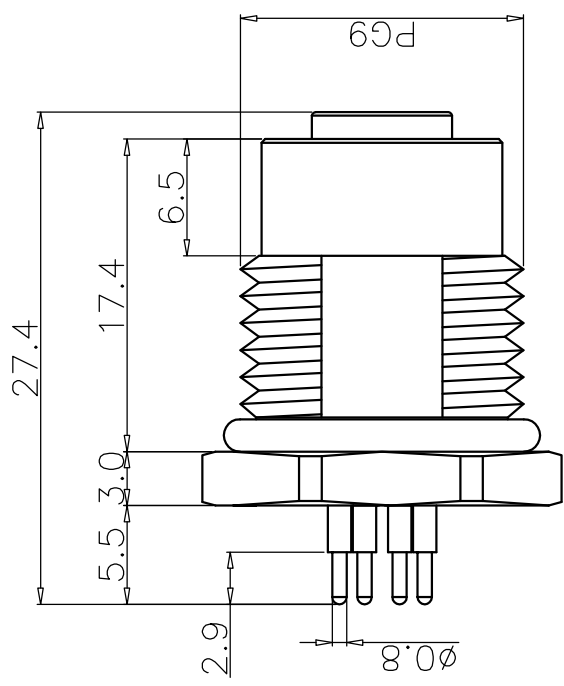




* SUBJECT TO CHANGE WITHOUT NOTICE



NUT

RECOMMEND P.C.B LAYOUT

RECOMMEND PANEL CUT-OUT

- MATERIAL :
 - HOUSING : PBT UL94V-0 ; COLOR : BLACK
 - CONTACT : BRASS
 - NUT : BRASS
 - SHELL : BRASS
 - O-RING : EPDM
- FINISH :
 - CONTACT : 10u" GOLD PLATED
 - NUT : NICKEL PLATED
 - SHELL : NICKEL PLATED
- ELECTRICAL SPECIFICATION :
 - Rated current : 2A
 - Rated voltage : 30V
 - Water proof : IP67
- Environmental :
 - Operation Temperature : -40°C~85°C

REV.	DESCRIPTION	APPROVED BY	DATE	ECN NO.
A	RELEASE	KUNG	08/03/23*	
B				
C				

DRAWN	Mark Kao	APP'D	KUNG	UNIT	mm	TOLERANCE	±0.20 ±0.10 ±0.05 ±0.02 ANGULAR ±1°	ICON	JKL TECHNOLOGY CO., LTD.	TITLE	M12 10P (F) FRONT PANEL MOUNT , DIP TYPE.	SHEET	1
CHK'D	Emily Suen			SCALE	1:1			ICON		PART NO.	WP-10F3-01-11	VERSION	A
										DWG NO.	QC10601		