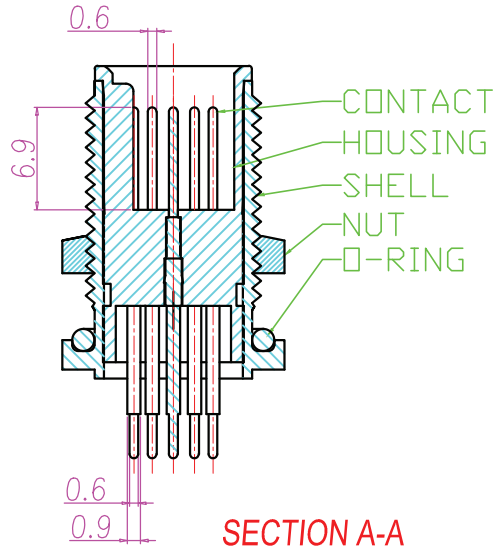
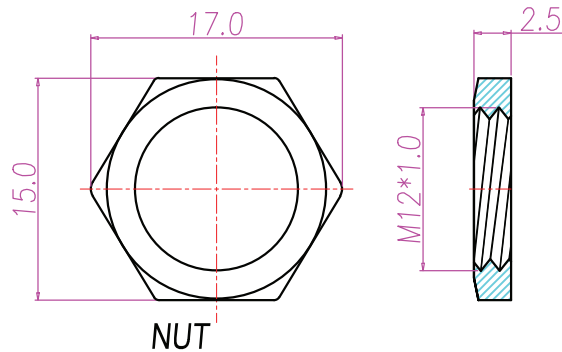


RECOMMEND P.C.B LAYOUT

RECOMMEND PANEL CUT-OUT

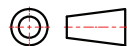


SECTION A-A

1. MATERIAL :
 - 1-1. HOUSING : PBT UL94V-0 ; COLOR : BLACK
 - 1-2. CONTACT : BRASS
 - 1-3. NUT : BRASS
 - 1-4. SHELL : BRASS
 - 1-5. O-RING : EDPM
2. FINISH :
 - 2-1. CONTACT : 10 MICRO INCHES MIN. GOLD PLATED
UNDER PLATE : NICKEL
 - 2-2. NUT : NICKEL PLATED
 - 2-3. SHELL : NICKEL PLATED
3. ELECTRICAL SPECIFICATION :
 - 3-1. Rated current : 1.5A
 - 3-2. Rated Voltage : 30V
 - 3-3. Water proof: IPX7
4. Environmental :
 - 4-1. Operation Temperature : -40℃~85℃

REV.	DESCRIPTION	APPROVED BY	DATE	ECN NO.
A				
B				
C				

DRAWN	NEIL	APP'D	KUNG	UNIT	mm	TOLERANCE
CHK'D	T M			SCALE	1:1	.x ±0.20 .xx ±0.10 .xxx ±0.05 .xxxx ±0.03 ANGULA ±1°



JKL TECHNOLOGY CO., LTD.

TITLE	M12 MALE 12PIN(M) FRONT PANEL MOUNT, DIP TYPE.			SHEET	1
PART NO.	WP-12M2-02	DWG.	QC4344	VERSION	A