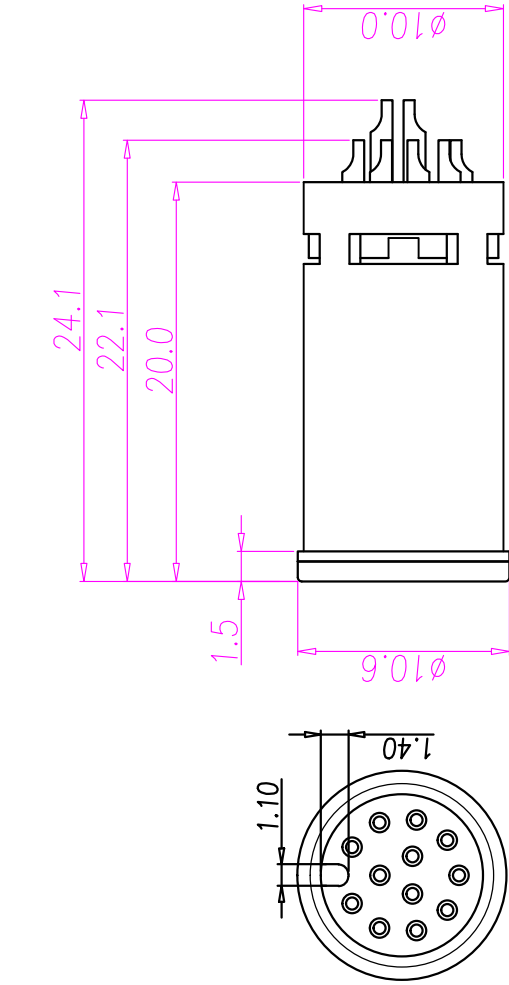




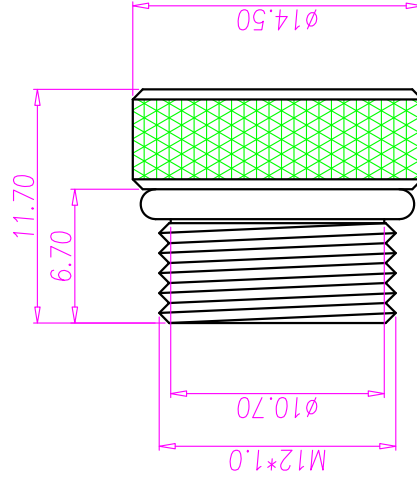
\* SUBJECT TO CHANGE WITHOUT NOTICE



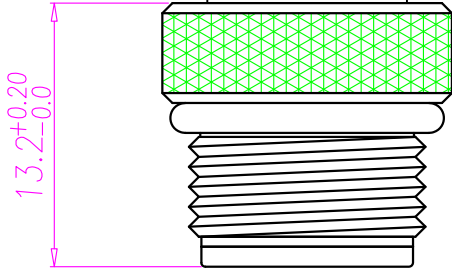
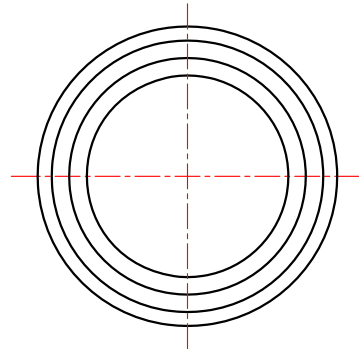
ASS'y

1. MATERIAL :

- 1-1. HOUSING : PBT UL94V-0 ; COLOR : BLACK
  - 1-2. CONTACT : BRASS
  - 1-3. NUT : BRASS
  - 1-4. SHELL : BRASS
  - 1-5. O-RING : EPDM
  - 1-6. EPOXY Base :EF400A&EF400B.COLOR:BLACK
2. FINISH :
- 2-1. CONTACT : 10 MICRO INCHES MIN. GOLD PLATED  
UNDER PLATE : NICKEL
  - 2-2. NUT : NICKEL PLATED
  - 2-3. SHELL : BRIGHT TIN PLATED
3. ELECTRICAL SPECIFICATION :
- 3-1. Rated current : 1.5A
  - 3-2. Rated voltage : 60V
  - 3-3. Water proof : IP67/IP68
4. Environmental :
- 4-1. Operation Temperature : -40℃~105℃



NUT



REV.	DESCRIPTION	APPROVED BY	DATE	ECN NO.
A	RELEASE	KUNG	22/06/18*	
B				
C				

DRAWN		Mark Kao	APP'D	KUNG	UNIT	TOLERANCE	JKL TECHNOLOGY CO., LTD.		TITLE	SHEET
CHK'D	Emily Suen				mm	.x ±0.20 .xx ±0.10 .xxx ±0.05 .xxxx ±0.01 ANGULA ±1°	1	M12 12P (M) SHIELDED WATERPROOF CONNECTOR.	M12 12P (M) SHIELDED WATERPROOF CONNECTOR.	1
					SCALE			WP-12M2-20-11	DWG NO.	VERSION
								QC8760		A