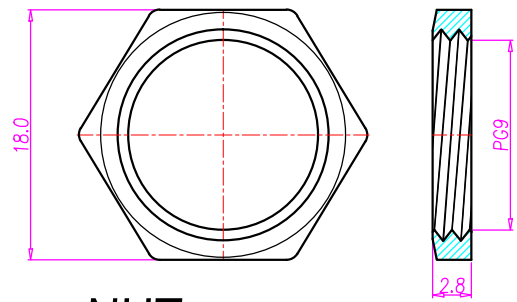
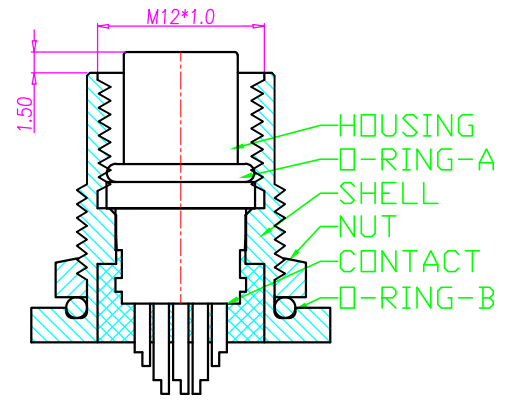
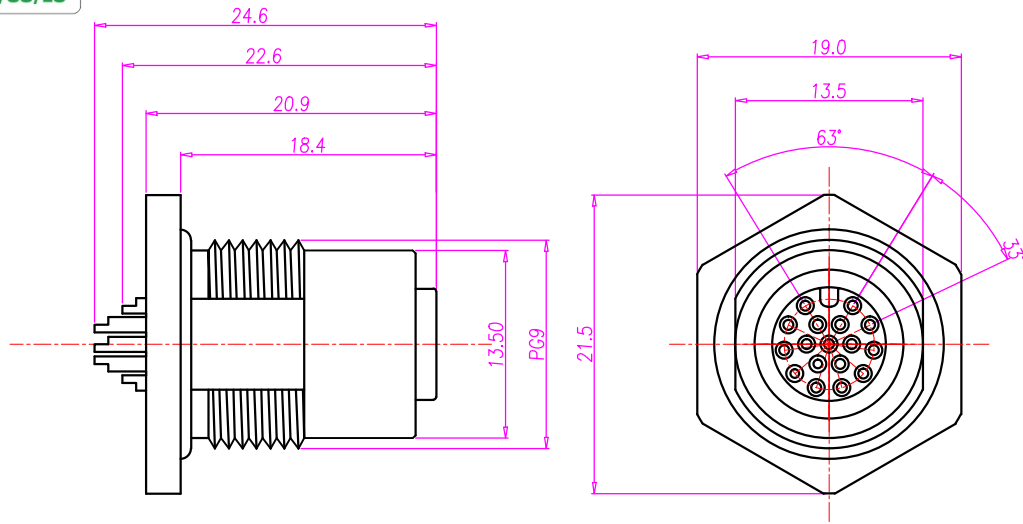
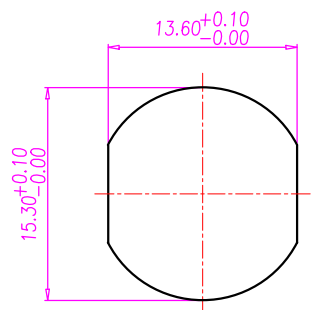




REV.	DESCRIPTION	APPROVED BY	DATE	ECN NO.
A	RELEASE	Fido Weng	17/05/10'	
B				
C				



NUT



RECOMMEND PANEL CUT-OUT

1. MATERIAL :
 - 1-1. HOUSING : PBT UL94V-0 ; COLOR : BLACK
 - 1-2. CONTACT : BRASS
 - 1-3. NUT : BRASS
 - 1-4. SHELL : BRASS
 - 1-5. O-RING : EPDM ; COLOR : BLACK
2. FINISH :
 - 2-1. CONTACT : 10 MICRO INCHES MIN. GOLD PLATED
UNDER PLATE : NICKEL
 - 2-2. NUT : NICKEL PLATED
 - 2-3. SHELL : NICKEL PLATED
3. ELECTRICAL SPECIFICATION :
 - 3-1. Rated current : 1A
 - 3-2. Rated Voltage : 30V
 - 3-3. Water proof: IPX7
4. Environmental :
 - 4-1. Operation Temperature : -40°C~85°C

DRAWN	KU	APP'D	KUNG	UNIT	mm	TOLERANCE		JKL TECHNOLOGY CO., LTD.	TITLE	M12 17PIN(F) FRONT PANEL MOUNT , PG9			SHEET	1
CHK'D				SCALE	1:1	.x ±0.20 .xx ±0.10 .xxx ±0.05 .xxxx ±0.01 ANGULA ±1°			PART NO.	WP-17F2-04	DWG NO.	QC6152	VERSION	A