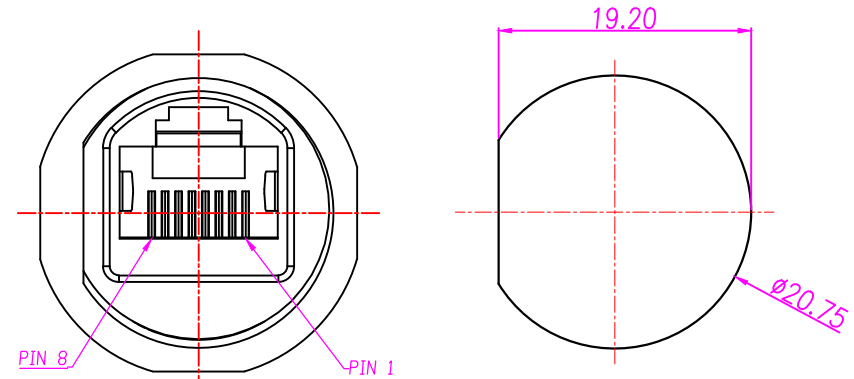
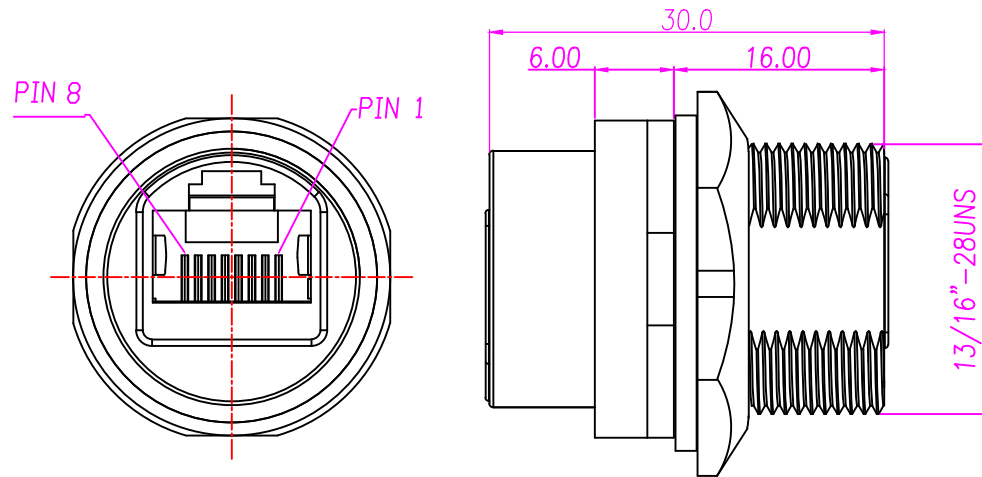
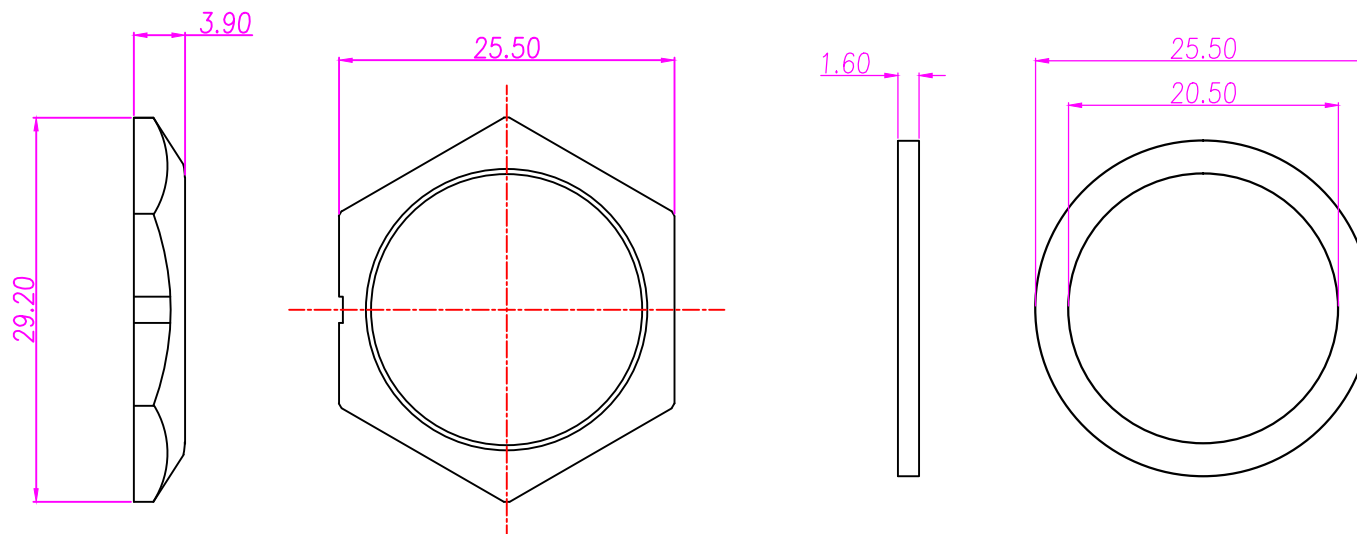




REV.	DESCRIPTION	APPVL. BY	DATE	ECN NO.
A	RELEASE	kung	2017.08.25	
B				
C				



Panel Cut-Out



NUT

O-RING

- MATERIAL :
 - HOUSING : PBT UL94V-0 ; COLOR : BLACK.
 - CONTACT : PHOSPHOR BRONZE
 - SHELL : Zn ALLOY
 - GROUND : SUS 301
 - O-RING : EPDM ; COLOR : BLACK.
 - NUT : BRASS
 - EPOXY BASE : EF400A&EF400B. COLOR : BLACK.
- FINISH :
 - CONTACT : GOLD FLASH MICRO INCHES MIN.
 - NUT : NICKEL PLTAE.
 - SHELL : NICKEL PLTAE.
 - GROUND : NICKEL PLTAE.
- ELECTRICAL SPECIFICATION :
 - Rated current : 2A
 - Rated Voltage : 250V
 - Water proof : IPX7
- Environmental :
 - Operation Temperature : -40°C~85°C
- Packing : 30 pcs/tray , 10 tray/carton.

DRAW	Ku Chou	APPVL	kung	UNIT	mm	TOLERANCE		JKL TECHNOLOGY CO., LTD.	TITLE	CAT.6A RJ45 WATERPROOF SHIELDED COUPLER PANEL MOUNT.			SHEET	
CHECK	Emily Suen			SCALE	1:1	.x ±0.20 .xx ±0.10 .xxx ±0.05 .xxxx ±0.03 ANGULA ±1°			PART NO.	RJ-08F2-04-11	DWG NO.	QC7705	VERSION	