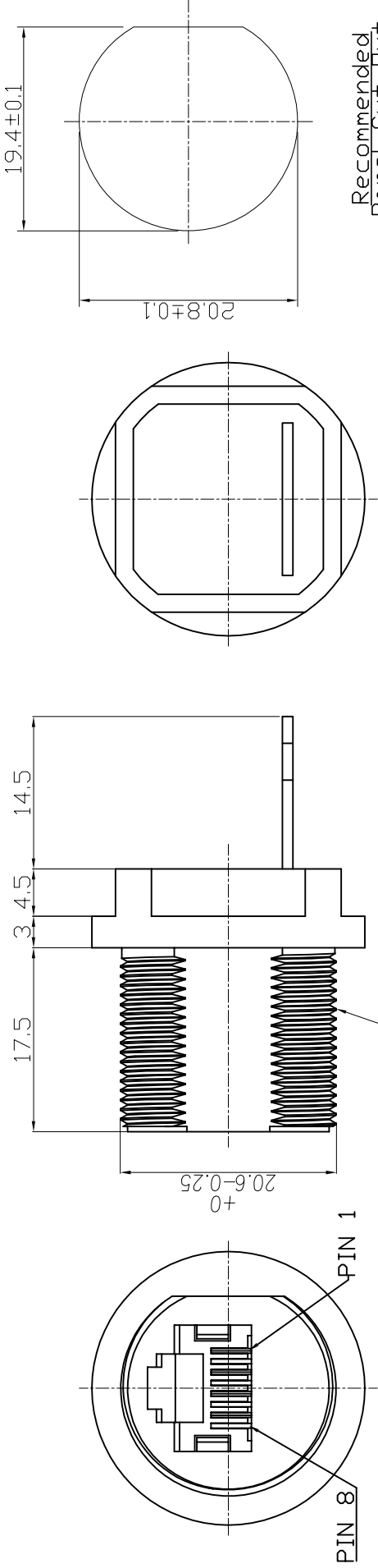


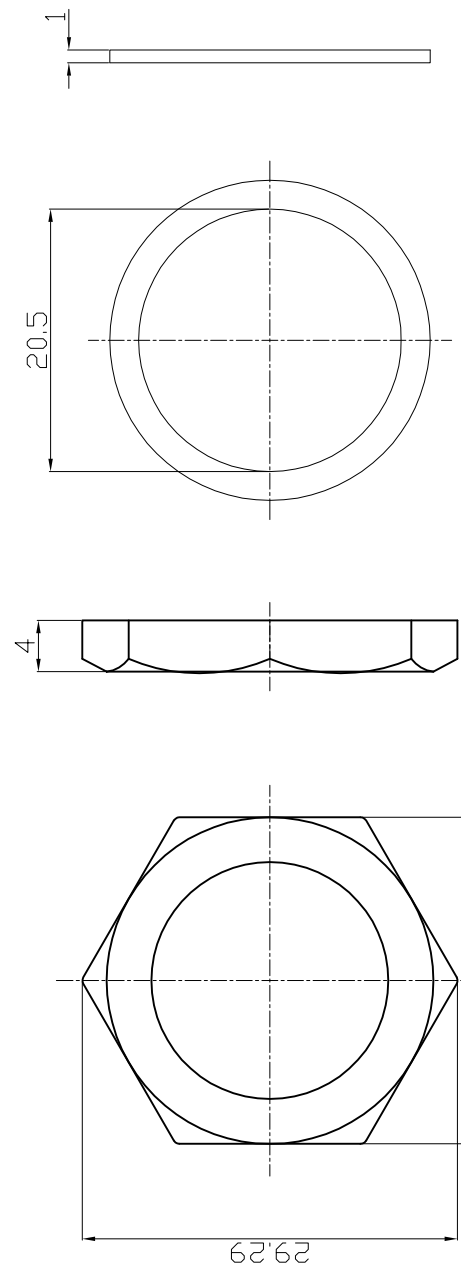


\* SUBJECT TO CHANGE WITHOUT NOTICE

REV.	DESCRIPTION	APPROVED BY	DATE	ECN NO.
A	RELEASE	KUNG	27/09/18*	
B	CHANGE DESIGN	KUNG	11/10/18*	
C				



Recommended Panel Cut-Out



Gasket

Nut

- MATERIAL :
  - 1-1. HOUSING : PBT UL94V-0 ; COLOR : BLACK.
  - 1-2. CONTACT : PHOSPHOR BRONZE
  - 1-3. SHELL : PA66 UL94V-0 ; COLOR : BLACK.
  - 1-4. GROUND : SUS
  - 1-5. GASKET : SILICON ; COLOR : GRAY BLACK.
  - 1-6. NUT : PA66
- FINISH :
  - 2-1. CONTACT : GOLD FLASH PLATED
  - 2-2. GROUND : NICKEL PLATED.
- ELECTRICAL SPECIFICATION :
  - 3-1. Rated current : 1.5A
  - 3-2. Rated voltage : 125V AC
  - 3-3. Water proof : IPX7
- Environmental :
  - 4-1. Operation Temperature : -40°C~85°C

DRAWN	Yeh Chou	APP'D	JKL TECHNOLOGY CO., LTD.		TITLE	Waterproof RJ45 8PIN (F)/PCB	SHEET	1
CHK'D	KU Chou		PART NO.	RJ-08F2-06-11	PART NO.	RJ-08F2-06-11	VERSION	A
			UNIT	mm	DWG NO.	QC8642		
			SCALE	1:1				
			TOLERANCE	.x ±0.20 .xx ±0.10 .xxx ±0.05 .xxxx ±0.03 ANGULA ±1°				