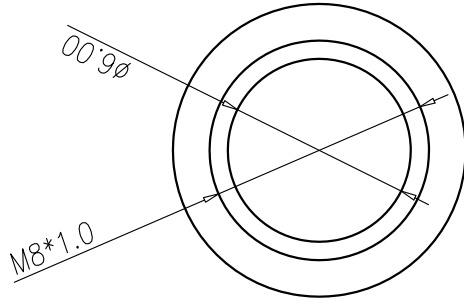
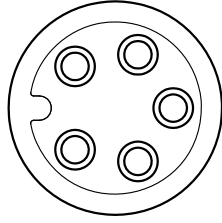
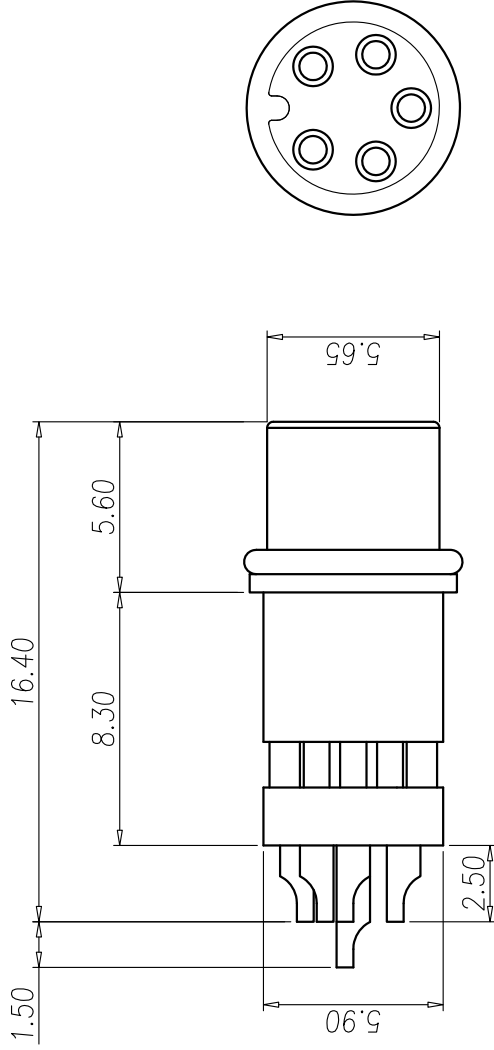




* SUBJECT TO CHANGE WITHOUT NOTICE



NUT

NOTE

1. MATERIAL :
 - 1-1. HOUSING : PA66 UL94V-0 ; COLOR : BLACK
 - 1-2. CONTACT : BRASS.
 - 1-3. NUT : BRASS
 - 1-4. O-RING : NBR
2. FINISH :
 - 2-1. CONTACT : GOLD FLASH.
 - 2-2. NUT : NICKEL PLATED.
3. ELECTRICAL SPECIFICATION :
 - 3-1. Rated current : 5PIN 3A ; 6PIN 2A
 - 3-2. Rated Voltage : 30V
 - 3-3. Water proof : IP67
4. Environmental :
 - 4-1. Operation Temperature : -40℃~105℃

REV.	DESCRIPTION	APPROVED BY	DATE	ECN NO.
A	RELEASE	KUNG	2016/10/19	
B				
C				

DRAWN CHKED	Ku Chou	kung	APPEND	UNIT SCALE	TOLERANCE x .xx ±0.20 .xxx ±0.10 xxxx ±0.05 xxxx ±0.03 ANGULA ±1°	JKL TECHNOLOGY CO., LTD	TITLE	SHEET
	Emily Suen						M8 5PIN (F) WATERPROOF CONNECTOR FOR CABLE.	VERSION A
							PART NO.	DWG NO.
							WP-05F2-104-11	QC7394