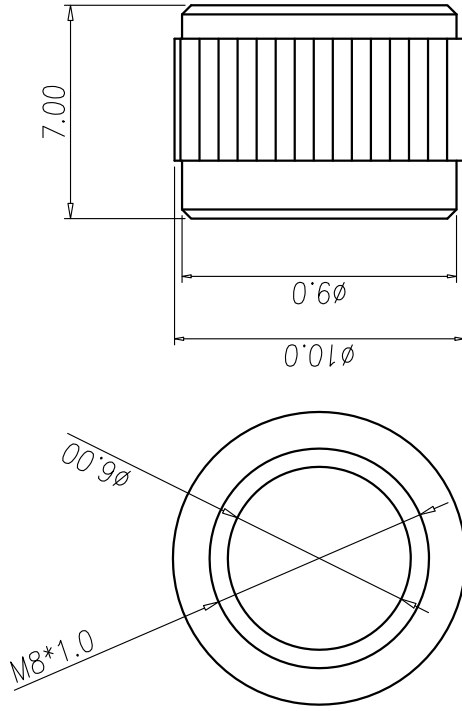
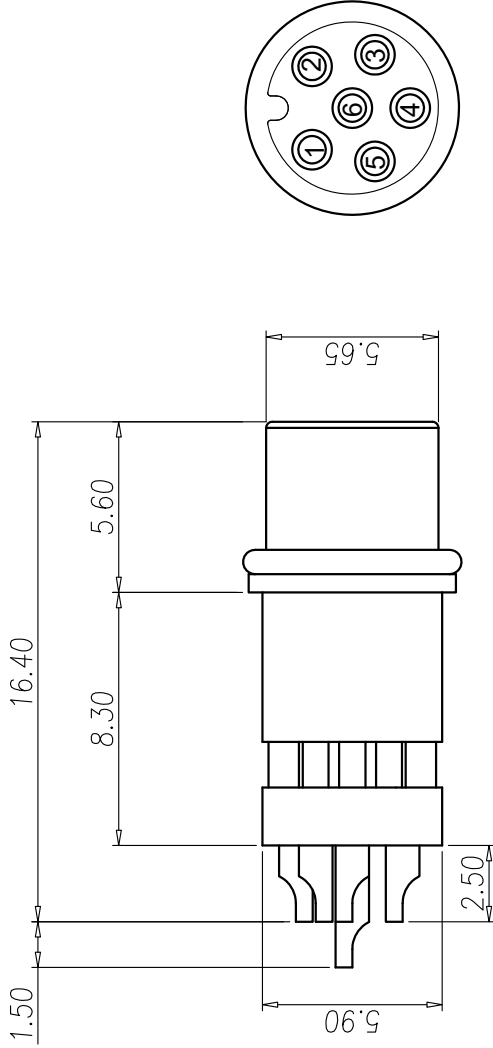




* SUBJECT TO CHANGE WITHOUT NOTICE



NUT

NOTE

1. MATERIAL :
 - 1-1. HOUSING : PA66 UL94V-0 ; COLOR : BLACK
 - 1-2. CONTACT : BRASS.
 - 1-3. NUT : BRASS
 - 1-4. O-RING : NBR
2. FINISH :
 - 2-1. CONTACT : GOLD FLASH.
 - 2-2. NUT : NICKEL PLATED.
3. ELECTRICAL SPECIFICATION :
 - 3-1. Rated current : 5PIN 3A ; 6PIN 2A
 - 3-2. Rated Voltage : 30V
 - 3-3. Water proof : IP67
4. Environmental :
 - 4-1. Operation Temperature : -40℃~105℃

REV.	DESCRIPTION	APPROVED BY	DATE	ECN NO.
A	RELEASE	KUNG	2016/10/19	
B				
C				

DRAWN	Ku Chou	APPEND	kung	UNIT	mm	TOLERANCE	.x ±0.20 .xx ±0.10 .xxx ±0.05 .xxxx ±0.03 ANGLE ±1°	 	JKL TECHNOLOGY CO., LTD	TITLE	M8 6PIN (F) WATERPROOF CONNECTOR FOR CABLE.	SHEET	⊕
	CHKED								Emily Suen		SCALE	1:1	