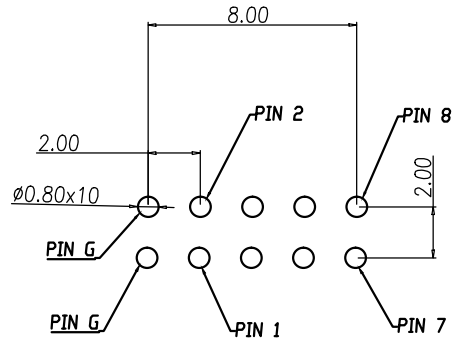


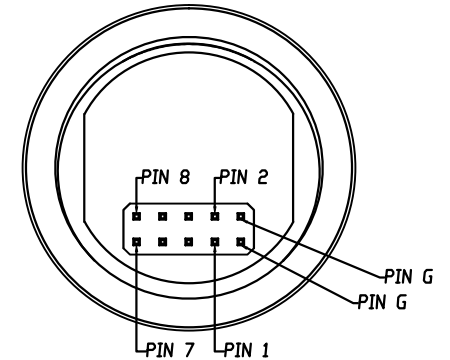
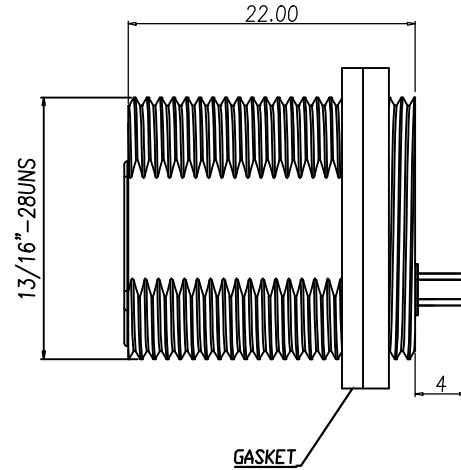
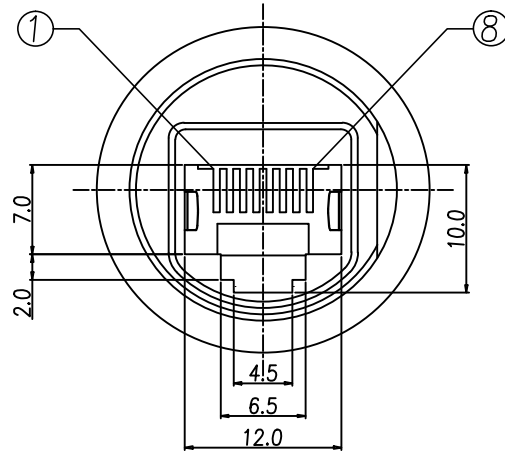


* SUBJECT TO CHANGE WITHOUT NOTICE

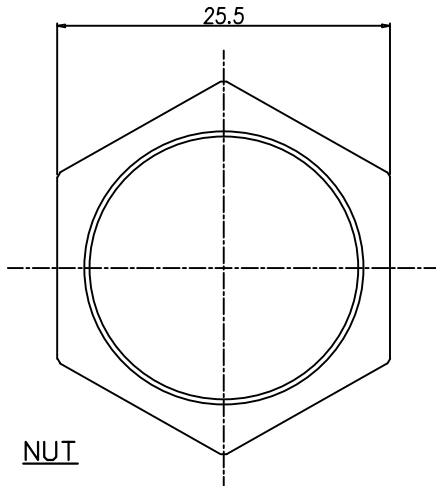
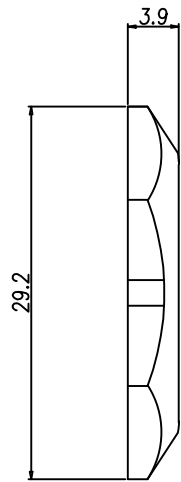
REV.	DESCRIPTION	APPROVED BY	DATE	ECN NO.
A	RELEASE	KUNG	05/02/19"	
B	MODIFY MATERIAL & FINISH	KUNG	03/06/19"	
C	CHANGE PCB LAYOUT & ADD BACK VIEW	KUNG	20/06/19"	



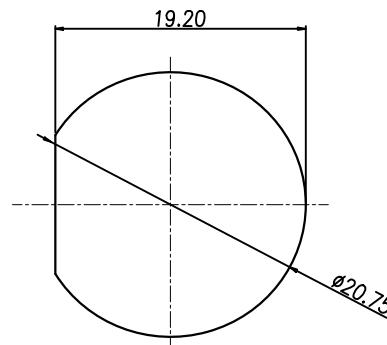
P.C.B LAYOUT (TOP VIEW)
SCALE 2:1



C



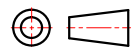
NUT



Panel Cut-Out

- B** 1. MATERIAL :
- 1-1. HOUSING : PBT UL94V-0 ; COLOR : BLACK.
 - 1-2. CONTACT : PHOSPHOR BRONZE
 - 1-3. SHELL : PA66
 - 1-4. GROUND : SUS 301
 - 1-5. GASKET : SILICONE ; COLOR : BLACK.
 - 1-6. NUT : PA66
- B** 2. FINISH :
- 2-1. CONTACT : GOLD FLASH MICRO INCHES MIN.
3. ELECTRICAL SPECIFICATION :
- 3-1. Rated current : 1.5A
 - 3-2. Rated Voltage : 125V
 - 3-3. Water proof : IP67
4. Environmental :
- 4-1. Operation Temperature : -40°C~85°C

DRAWN	Ku Chou	APP'D	KUNG	UNIT	mm	TOLERANCE
CHK'D	Emily Suen			SCALE	1:1	0>1.0 ±0.1 1.0>6.0 ±0.2 6.0>12.0 ±0.3 12.0>25.0 ±0.4 25.0> ±0.5



JKL TECHNOLOGY CO., LTD.

TITLE	CAT.6 RJ45 SHIELDED 8PIN (F) FRONT PANEL MOUNT , DIP TYPE.			SHEET	1
PART NO.	RJ-08F2-14-11	DWG NO.	QC9129	VERSION	C