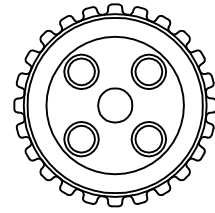
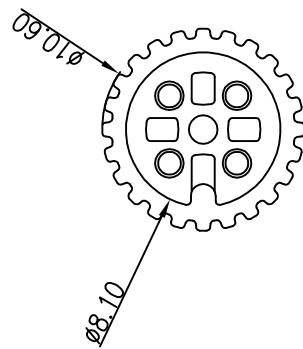
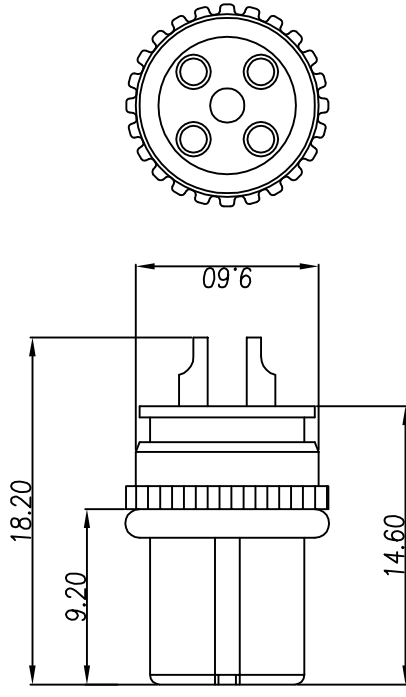
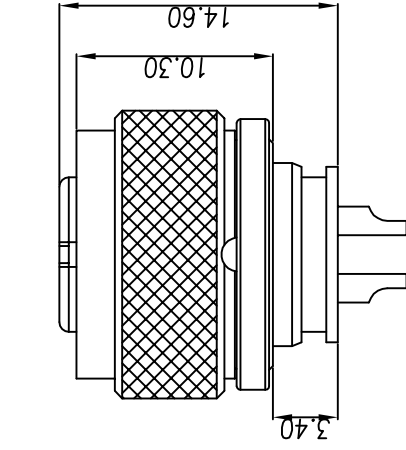
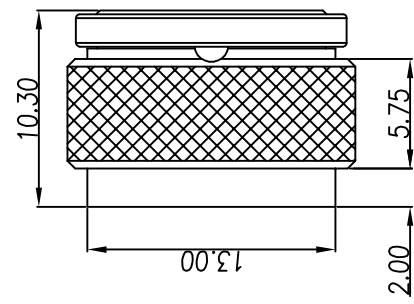
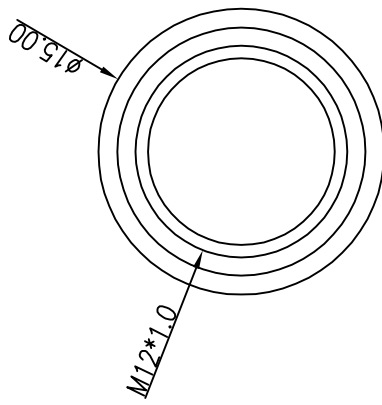




* SUBJECT TO CHANGE WITHOUT NOTICE



HOUSING & PIN & O-ring



NUT & anti-vibration detent

1. MATERIAL :
 - 1-1. HOUSING : PA66 ; COLOR : BLACK
 - 1-2. CONTACT : BRASS
 - 1-3. NUT : BRASS
 - 1-4. O-RING : EDPM ; Color : BLACK.
2. FINISH :
 - 2-1. CONTACT : GOLD PLATED 10 μ ".
 - 2-2. NUT : NICKEL PLATED.
3. ELECTRICAL SPECIFICATION :
 - 3-1. Rated current : 4A
 - 3-2. Rated Voltage : 250V
 - 3-3. Water proof : IPX7
4. Environmental :
 - 4-1. Operation Temperature : -20 $^{\circ}$ C~85 $^{\circ}$ C

REV.	DESCRIPTION	APPROVED BY	DATE	ECN NO.
A	RELEASE	KUNG	25/02/14*	
B				
C				

DRAWN		Emily Suen	APP'D	KUNG	UNIT	mm	TOLERANCE	JKL TECHNOLOGY CO., LTD.		TITLE	M12 4PIN (F) A-CODE WITH LOCK COUPLING NUT.		SHEET
CHK'D	JUSTIN				SCALE	1:1	.x ±0.20 .xx ±0.10 .xxx ±0.05 .xxxx ±0.03 ANGLE ±1°	PART NO.	WP-04F2-168-11	DWG NO.	QC6592	VERSION	A