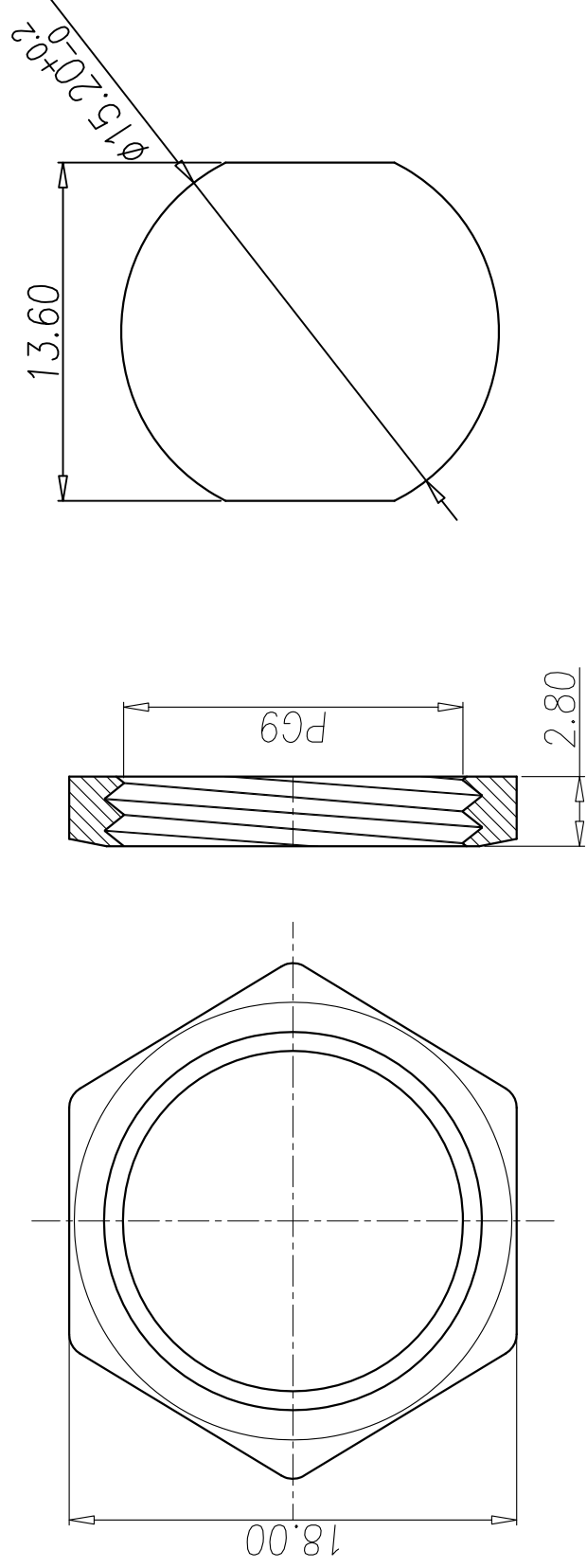
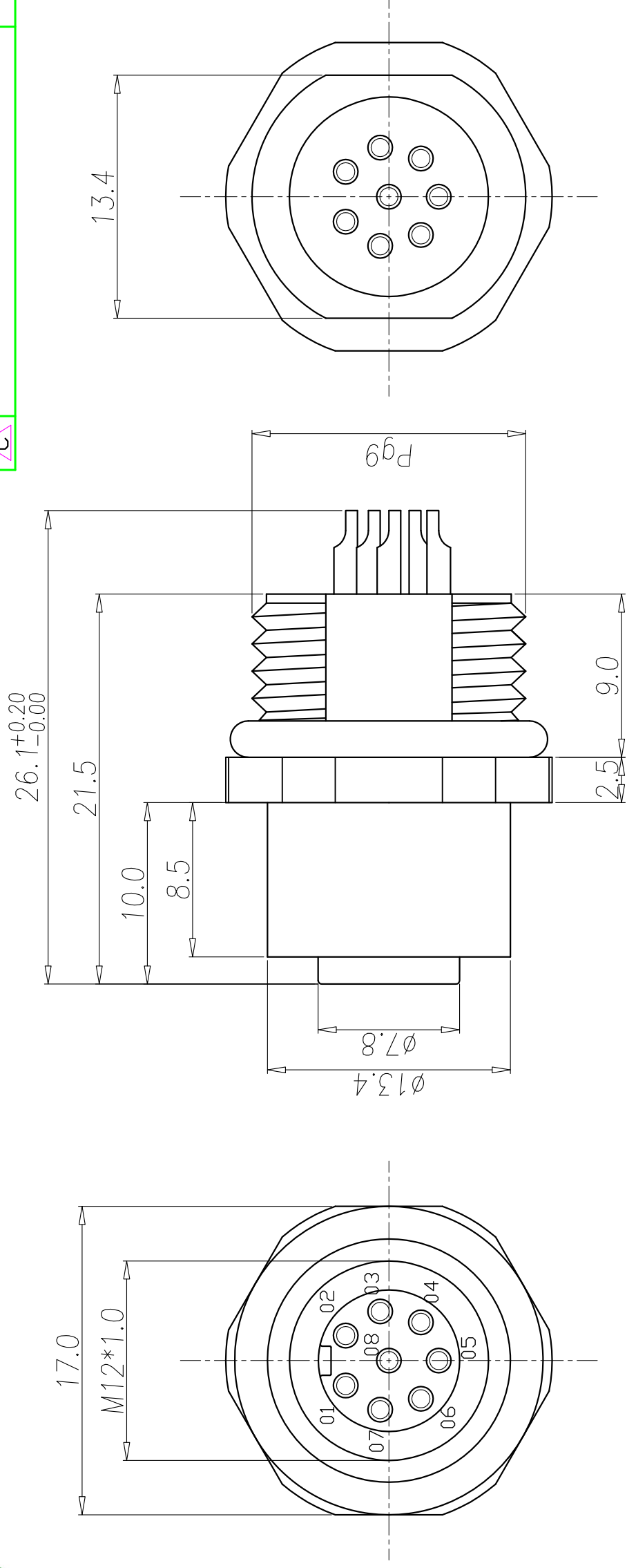


REV.	DESCRIPTION	APPROVED BY	DATE	ECN NO.
A	RELEASE	KUNG	16/05/19*	
B				
C				

\* SUBJECT TO CHANGE WITHOUT NOTICE



NUT

RECOMMEND PANEL CUT-OUT

- MATERIAL :
  - HOUSING : PBT UL94V-0 ; COLOR : BLACK
  - CONTACT : BRASS
  - SHELL : BRASS
  - NUT : BRASS
  - O-RING : EPDM ; COLOR : BLACK.
- FINISH :
  - CONTACT : GOLD FLASH
  - SHELL : NICKEL PLATED.
  - NUT : NICKEL PLATED.
- ELECTRICAL SPECIFICATION :
  - Rated current : 2A
  - Rated Voltage : 30V
  - Water proof : IP67
- Environmental :
  - Operation Temperature : -40℃~85℃

DRAWN	Ku Chou	APP'D	M12 8PIN (F) REAR PANEL MOUNT		SHEET	1
CHK'D	Emily Suen		PART NO.	DWG.	VERSION	A
			WP-08F2-35	QC5956		
			JKL TECHNOLOGY CO., LTD.			
			TOLERANCE			
			.x	±0.20		
			.xx	±0.10		
			.xxx	±0.05		
			.xxxx	±0.03		
			ANGULA	±1°		