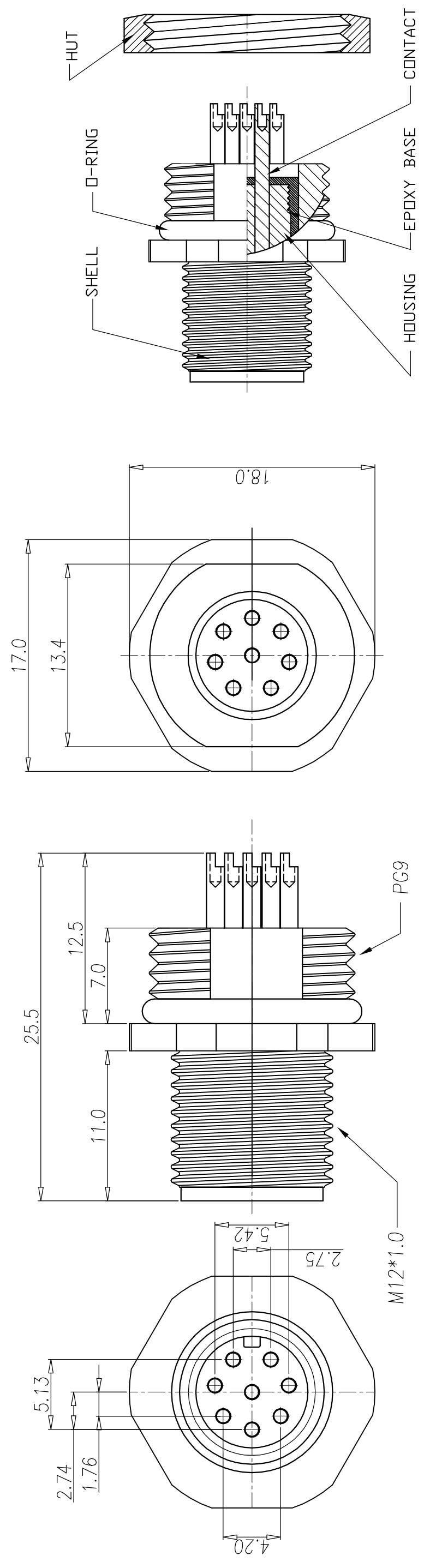


REV.	DESCRIPTION	APPROVED BY	DATE	ECN NO.
A	RELEASE	KUNG	13/02/09*	
B				
C				

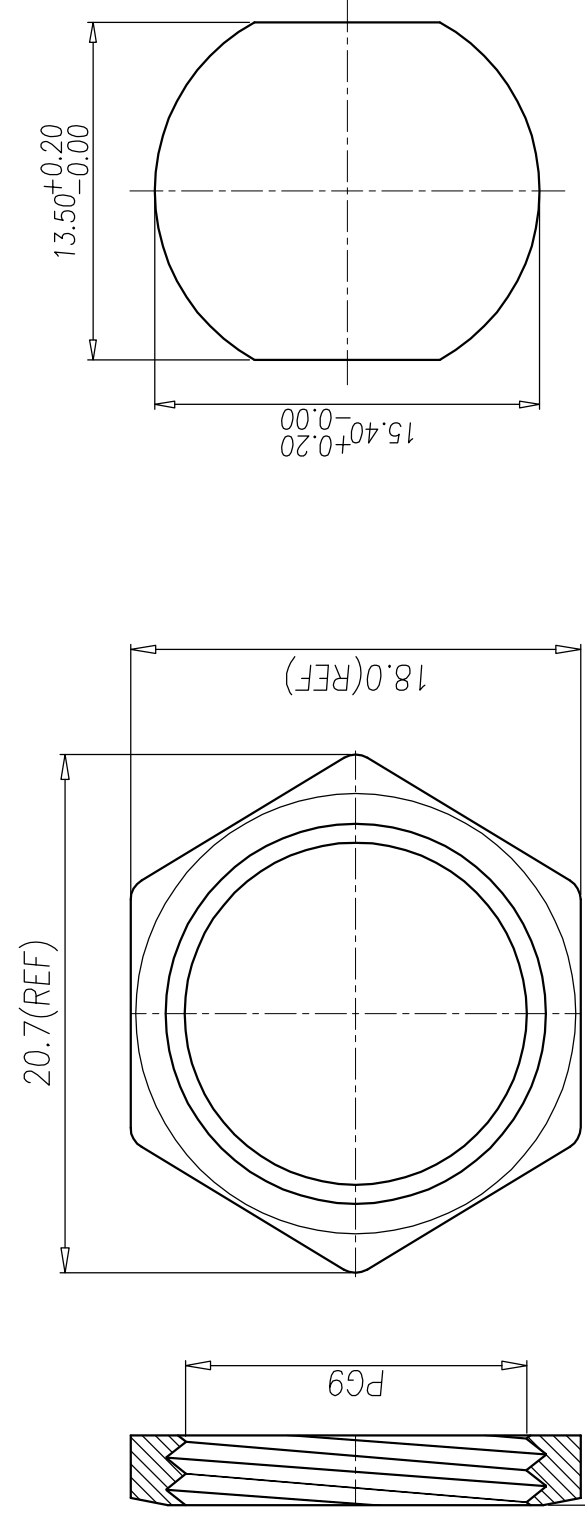
\* SUBJECT TO CHANGE WITHOUT NOTICE



NOTE

- MATERIAL :
  - HOUSING : PBT UL94V-0 ; COLOR : BLACK
  - CONTACT : BRASS
  - SHELL : BRASS
  - NUT : BRASS
  - O-RING : NBR ; COLOR : BLACK
- FINISH :
  - CONTACT : 10 MICRO INCHES MIN. GOLD PLATED UNDER PLATE : NICKEL
  - SHELL : NICKEL PLATED 60u" ~ 100u" OVER ALL
  - NUT : NICKEL PLATED 60u" ~ 100u" OVER ALL
- ELECTRICAL SPECIFICATION :
  - Rated current : 2A
  - Rated Voltage : 30V
  - Water proof : IPX7
- Environmental :
  - Operation Temperature : -40℃~85℃

RECOMMEND PANEL CUT-OUT



DRAWN	Ku Chou	APP'D	KUNG	UNIT	mm	TOLERANCE	±0.20 ±0.10 ±0.05 ±0.03 ANGULA ±1°	JKL TECHNOLOGY CO., LTD.	TITLE	M12 8PIN (M) REAR PANEL MOUNT	SHEET	1
CHK'D	Emily Suen			SCALE	1:1				PART NO.	WP-08M2-12	VERSION	A
									DWG.	QC4087		