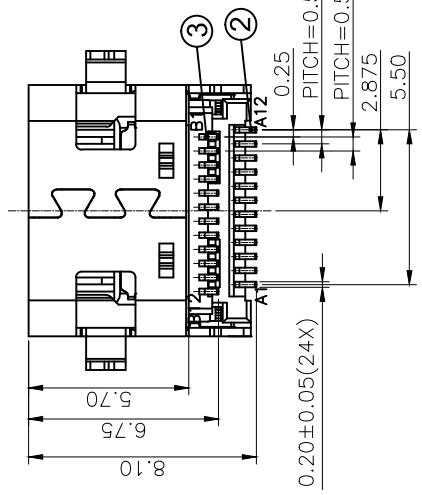
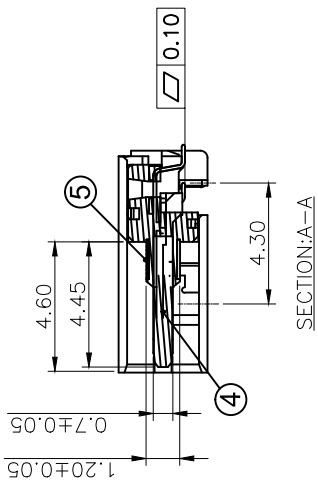
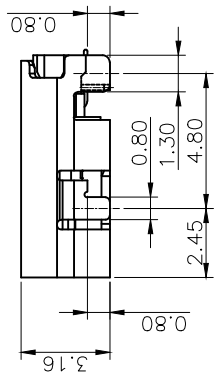
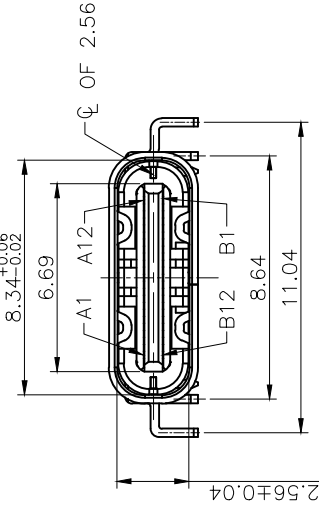
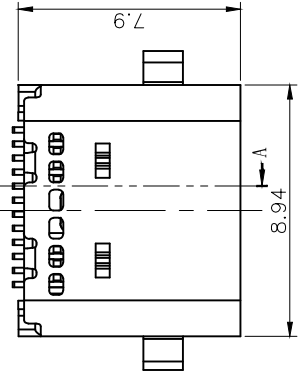
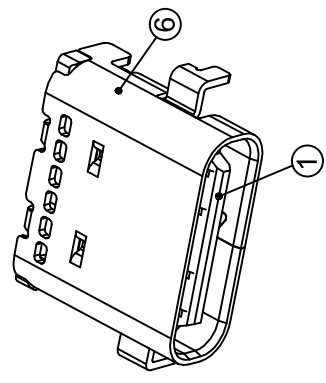


REV.	DESCRIPTION	APPROVED BY	DATE	ECN NO.
A	RELEASE	KUNG	2021.10.08	
B				
C				

\* SUBJECT TO CHANGE WITHOUT NOTICE



NOTE:

- Electrical Characteristics:
  - Current Rating: 5A For Pin(A4,A9,B4,B9)  
1.25A For Pin(B5)  
0.25A For Others Pin
  - VOLTAGE RATING:5.0V
  - Insulation Resistance: 100MΩ Min.
  - Contact Resistance:
    - VBUS & GND PINS AND OTHER PINS: 40mΩ/PIN MAX.
    - SHIELD:50mΩ/MAX.
    - SHIELD:ILCR MAX. CHANGE OF ALL PINS: 10mΩ.
- Mechanical Characteristics:
  - Insertion Force: 5~20N
  - Extraction Force: Initial: 8~20N  
After durability: 6~20N
  - Durability :10000 Cycles
  - Operating Temperature: -25°C TO +85°C
  - PACKING :900PCS/1REEL , 10 REEL/CTN.

NO.	DESCRIPTION	MATERIAL	REMARKS	QTY	NOTE
6	SHELL	SUS304 T=0.30mm	NICKEL 30μ" MIN PLATING	1PCS	
5	EMI PLATE	SUS301 T=0.10mm	CLEAR ONLY	1PCS	
4	SHIELDING PLATE	SUS301 T=0.15mm	NI 30μ" MIN. UNDER PLATED OVER ALL. Sn 80μ"MIN. PLATED OVER ALL	1PCS	
3	DOWN CONTACT	C1814-H T=0.12mm	GOLD PLATED	1SET	
2	TOP CONTACT	C1814-H T=0.12mm	GOLD PLATED	1SET	
1	HOUSING	HIGH TEMPERATURE RESISTANT PLASTIC:UL94 V-0	BLACK	1PCS	

DRAWN	Ku Chou	APP'D	KUNG	UNIT	mm	TOLERANCE	±0.20 ±0.10 ±0.05 ±0.03 ANGULAR ±1°	SCALE	1:1	VERSION	A
CHK'D	Emily Suen									TITLE	USB 3.1 C TYPE FEMALE SOCKET SMT ,FOUR LEGS
										PART NO.	USB-CF104-24-SMT
										DWG NO.	CF104-24-01

JKL TECHNOLOGY CO., LTD.



SHEET

