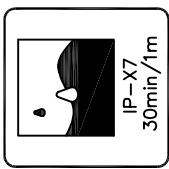
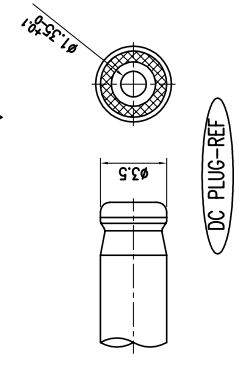
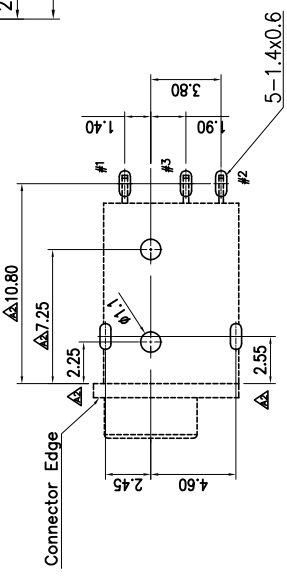
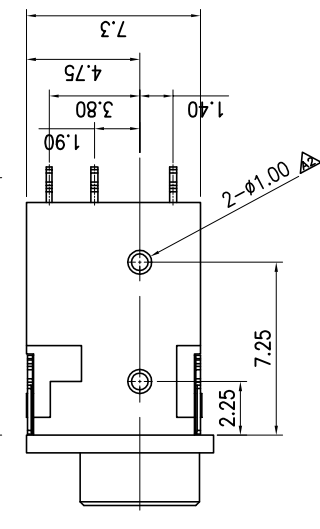
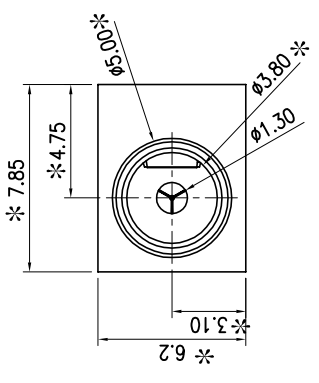
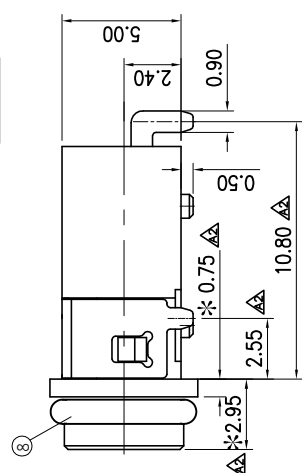
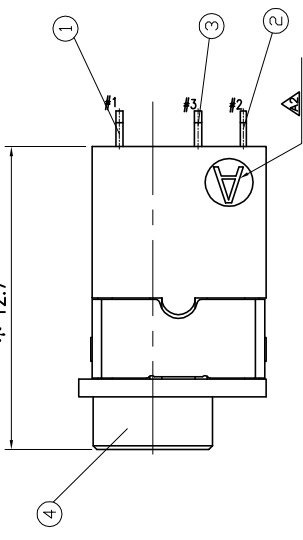
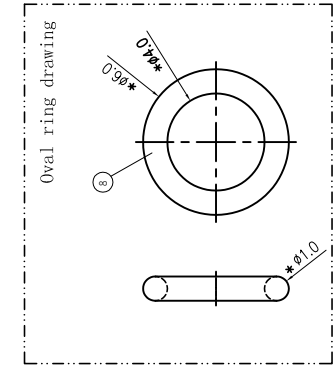


REV.	DESCRIPTION	APPL. BY	DATE	ECN NO.
A	RELEASE	KUNG	2018/03/06	
A2				
A3				

\* SUBJECT TO CHANGE WITHOUT NOTICE



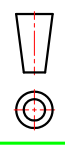
- Notes:
- Electrical Characteristics:
    - 1-1.Rating : DC 16V 3.5 A ;
    - 1-2.Contact Resistance: 50mΩ Max.(Initial), 100mΩ Max.(Final) After test: ≤50mΩ ;
    - 1-3.Dielectric Withstanding Voltage: 500V AC for One Minute ;
    - 1-4. Insulation Resistance: 100MΩ /Min. Measured By 500 VDC;
  - Mechanical Characteristics:
    - 2-1. Plug Insertion Force 0.3~3.0Kgf (initial), 0.2~2.0Kgf (Final) life test;
    - 2-2. Plug Extraction Force: 0.3~3.0Kgf (initial), 0.2~2.0Kgf (Final) life test;
  - Durability Test: 5,000 Cycles min;
  - Operating temperature:-25°C ~ +70°C;
  - Soldering Heat Resistance Reflow Soldering 255°C±5°C;
  - Plug Interface Dimensions Conform To EIAJ RC-5321 Spec;
  - Packaging: Tape Reel;
  - O-rings are packed separately.
  - The connector can go through the IR process once only.

CAT. NO.	PIN	SCHEMATIC
KYP-020-02JA	Ø1.3	

LTR	PART NAME	QTY	MATERIAL	REMARK
8	O-RING	1	SILICONE , UL94V-0	BLACK
7	SHIELD	1	BRASS	Ni PLATED
6	GLUE	1	SILICON	WHITE
5	COVER	1	PA10T	BLACK
4	HOUSING	1	PA10T	BLACK
3	TERMINAL 3	1	BRASS	MB:Ni Gold Flash
2	TERMINAL 2	1	PHOSPHOR BRONZE	MB:Ni Gold Flash
1	TERMINAL 1	1	PHOSPHOR BRONZE	MB:Ni Gold Flash
	PART NAME			
LTR	PART NAME	QTY	MATERIAL	REMARK

DRAW	Ku Chou	APPVL	KUNG	TITLE	DC POWER WATERPROOF JACK	SHEET	1
CHECK	Emily Suen			PART NO.	WP-020-02JA	VERSION	A
				DWG NO.	01-DC02030		

JKL TECHNOLOGY CO., LTD.



TOLERANCE	±0.20
.x	±0.10
.xxx	±0.05
.xxxx	±0.03
ANGULA	±1°

UNIT	mm
SCALE	1:1