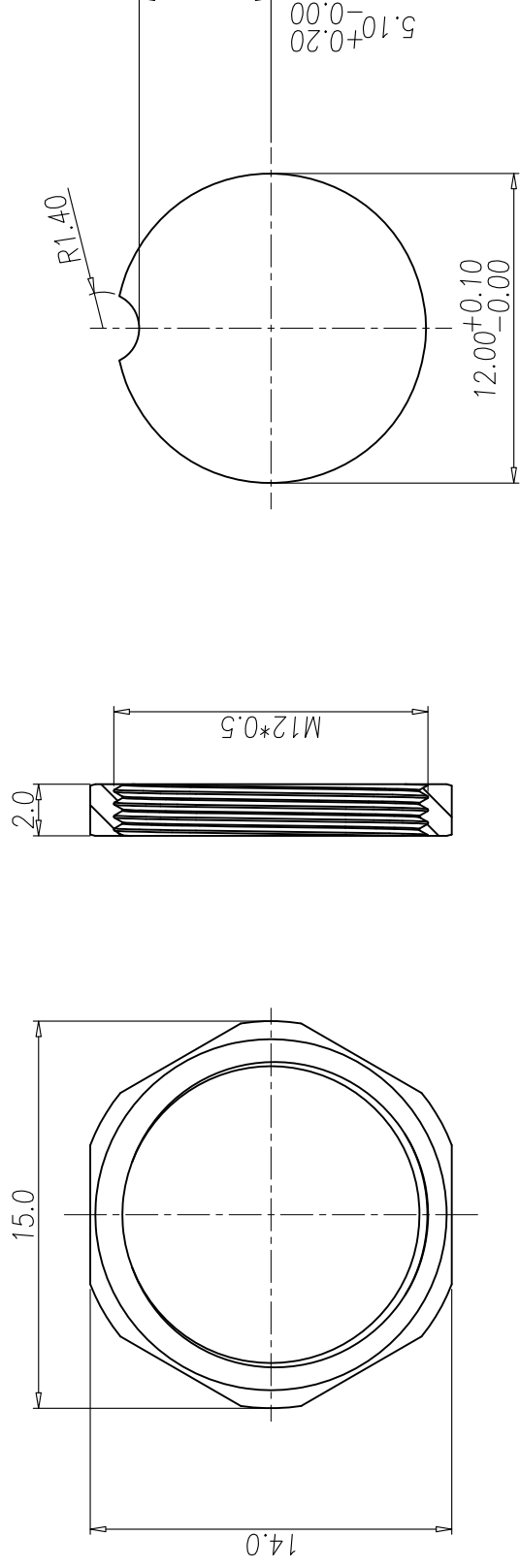
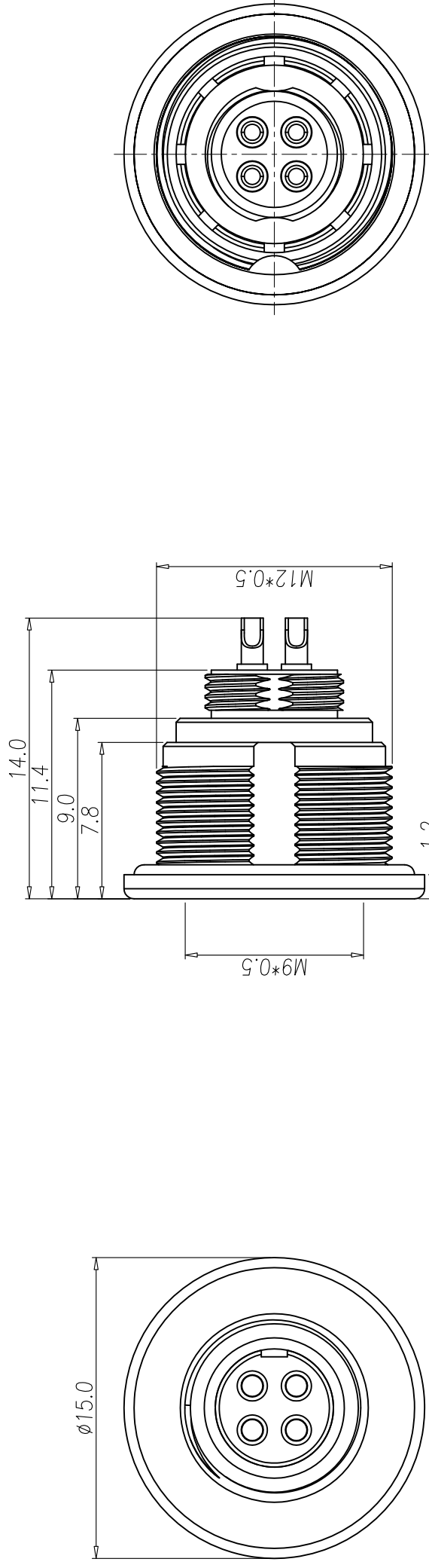


REV.	DESCRIPTION	APPROVED BY	DATE	ECN NO.
A	RELEASE	KUNG	14/05/21'	
B				
C				

* SUBJECT TO CHANGE WITHOUT NOTICE



NUT

RECOMMEND PANEL CUT-OUT

WP-02F2-99-11	WP-03F2-168-11	WP-04F2-278-11	WP-05F2-211-11	WP-07F2-20-11	WP-08F2-131-11

- MATERIAL :
 - HOUSING : PA UL94V-0 ; COLOR : BLACK
 - CONTACT : BRASS.
 - SHELL : BRASS.
 - O-RING A : SILICONE ; COLOR : BLACK.
 - O-RING B : EPDM ; COLOR : BLACK.
 - NUT : BRASS
- FINISH :
 - CONTACT : GOLD FLASH
 - SHELL : NICKEL PLTAE.
 - NUT : NICKEL PLTAE.
- ELECTRICAL SPECIFICATION :
 - Rated current(40℃) : 2~3P/4A; 4~5P/3A; 7~8P/1A
 - Rated Voltage : 125V
 - Water proof : IP67
- Environmental :
 - Operation Temperature : -40℃~85℃

DRAWN	Ku Chou	APP'D	M9 5PIN (F) REAR PANEL MOUNT		SHEET
CHK'D	Emily Suen		WP-05F2-211-11	DWG.	VERSION
				QC10189	A
JKL TECHNOLOGY CO., LTD.			TITLE		