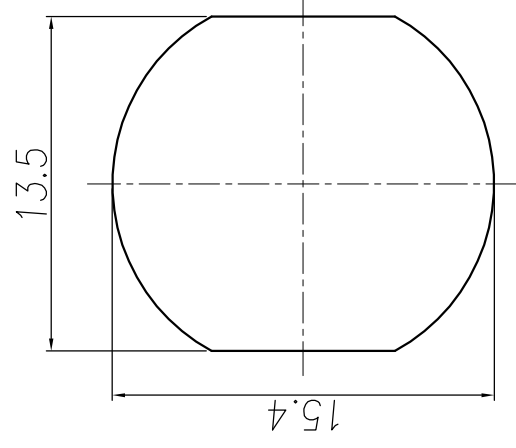
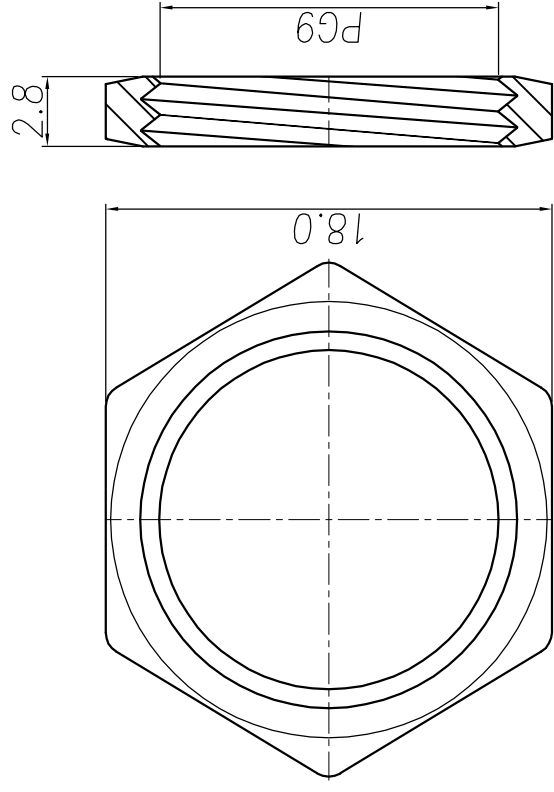
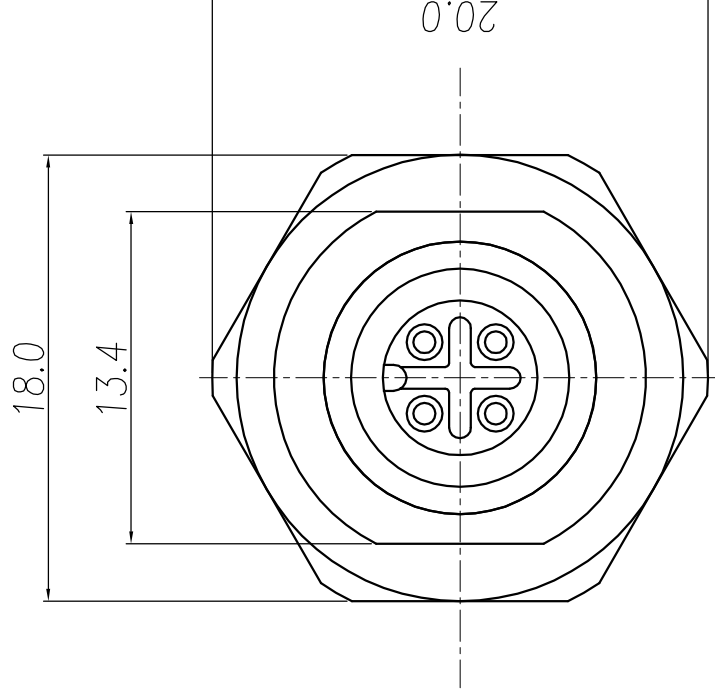
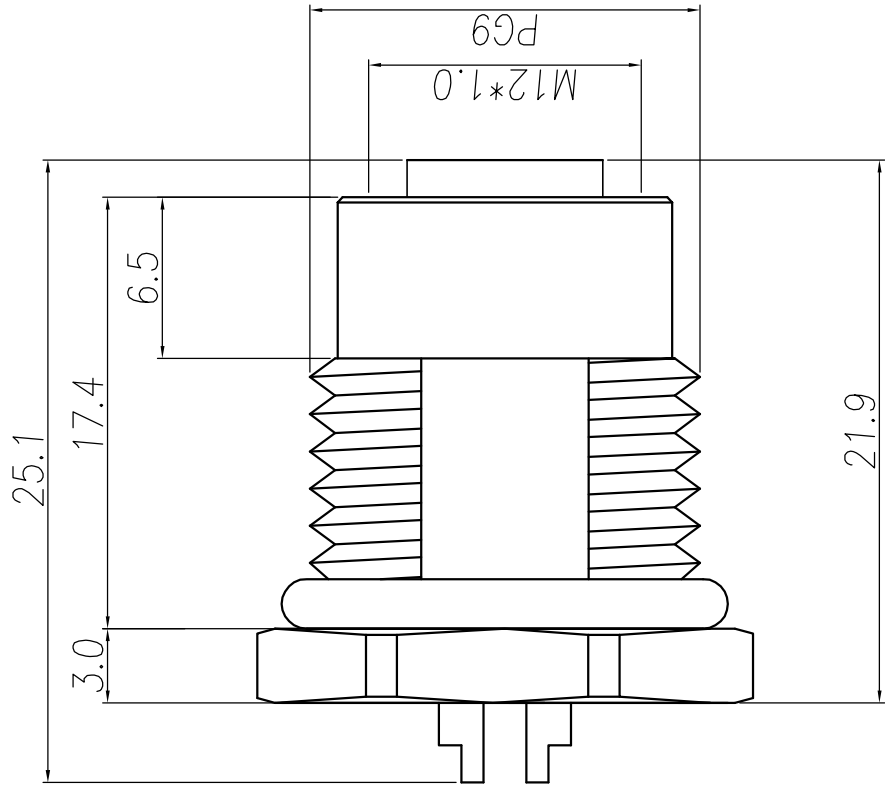


REV.	DESCRIPTION	APPROVED BY	DATE	ECN NO.
A	RELEASE	KUNG	14/05/21'	
B				
C				

\* SUBJECT TO CHANGE WITHOUT NOTICE



**NUT**

**RECOMMEND PANEL CUT-OUT**

**TABLE A**

WP-05F2-99-11	WP-03F2-54-11
WP-04F2-121-11	WP-02F2-35-11

- MATERIAL :**
  - HOUSING : PBT UL94V-0 ; COLOR : BLACK
  - CONTACT : BRASS
  - NUT : BRASS
  - SHELL : BRASS
  - O-RING : EPDM ; COLOR : BLACK
- FINISH :**
  - CONTACT : 10 MICRO INCHES MIN. GOLD PLATED UNDER PLATE : NICKEL
  - NUT : NICKEL PLATED
  - SHELL : NICKEL PLATED
- ELECTRICAL SPECIFICATION :**
  - Rated current : 4A
  - Rated Voltage : 2~4PIN 250V ; 5PIN 60V
  - Water proof : IPX7
- Environmental :**
  - Operation Temperature : -40°C~85°C

DRAWN	Ku Chou	APP'D	KUNG	TITLE	M12 5PIN (F) FRONT PANEL MOUNT	SHEET	1
CHK'D	Emily Suen			PART NO.	WP-05F2-99-11	VERSION	A
				DWG.	QC6893		