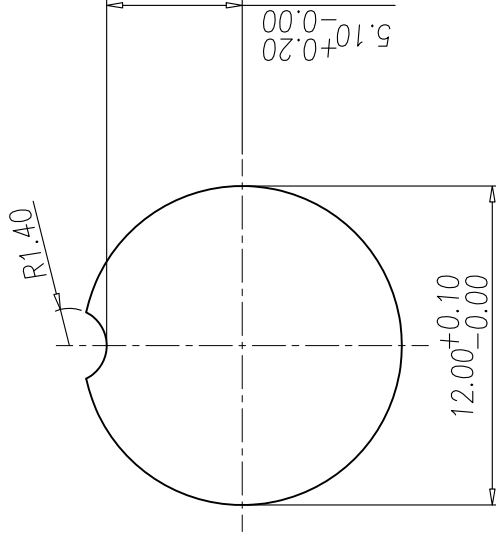
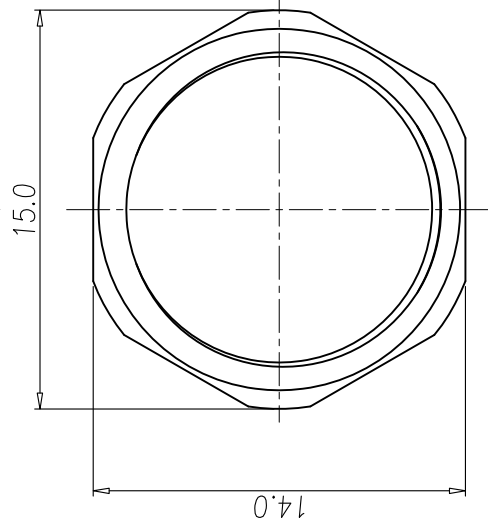
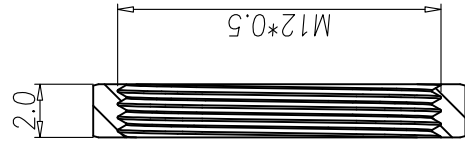
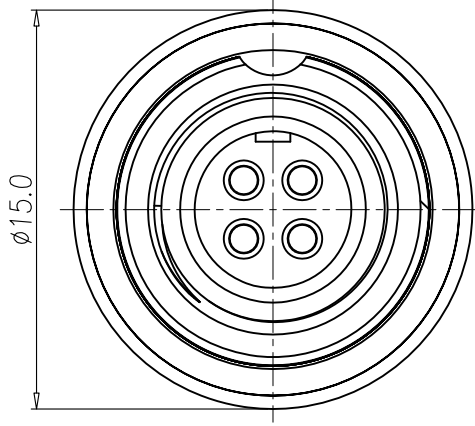
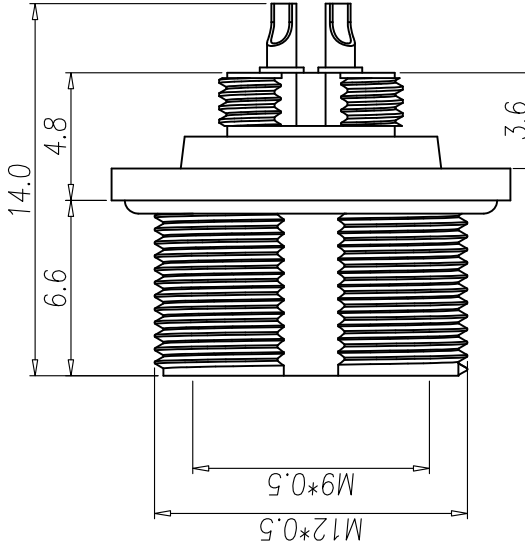
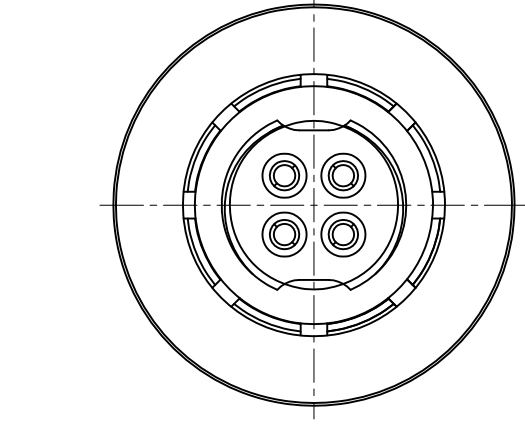


REV.	DESCRIPTION	APPROVED BY	DATE	ECN NO.
A	RELEASE	KUNG	14/05/21	
B				
C				

* SUBJECT TO CHANGE WITHOUT NOTICE



5.10^{+0.20}_{-0.00}

RECOMMEND PANEL CUT-OUT

NUT

- MATERIAL :
 - HOUSING : PA UL94V-0 ; COLOR : BLACK
 - CONTACT : BRASS.
 - SHELL : BRASS.
 - O-RING A : SILICONE ; COLOR : BLACK.
 - O-RING B : EPDM ; COLOR : BLACK.
 - NUT : BRASS

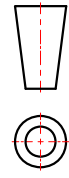
- FINISH :
 - CONTACT : GOLD FLASH
 - SHELL : NICKEL PLTAEED.
 - NUT : NICKEL PLTAEED.

- ELECTRICAL SPECIFICATION :
 - Rated current(40℃) : 2~3P/4A; 4~5P/3A; 7~8P/1A
 - Rated Voltage : 125V
 - Water proof : IP67
- Environmental :
 - Operation Temperature : -40℃~85℃

WP-02F2-100-11	WP-03F2-169-11	WP-04F2-279-11	WP-05F2-212-11	WP-07F2-21-11	WP-08F2-132-11	

DRAWN	Ku Chou	APP'D	M9 8PIN (F) FRONT PANEL MOUNT		SHEET	1
CHK'D	Emily Suen		WP-08F2-132-11	DWG.	QC10196	VERSION
						A

JKL TECHNOLOGY CO., LTD.



TOLERANCE	.x	±0.20
	.xx	±0.10
	.xxx	±0.05
	.xxxx	±0.03
ANGULA	±1°	

UNIT	mm
SCALE	1:1

KUNG