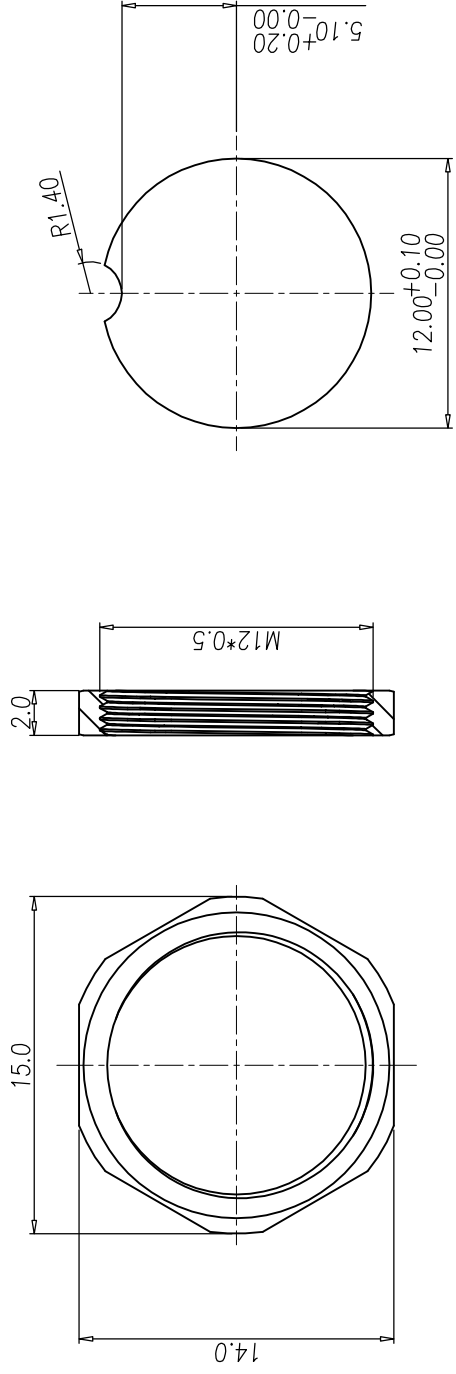
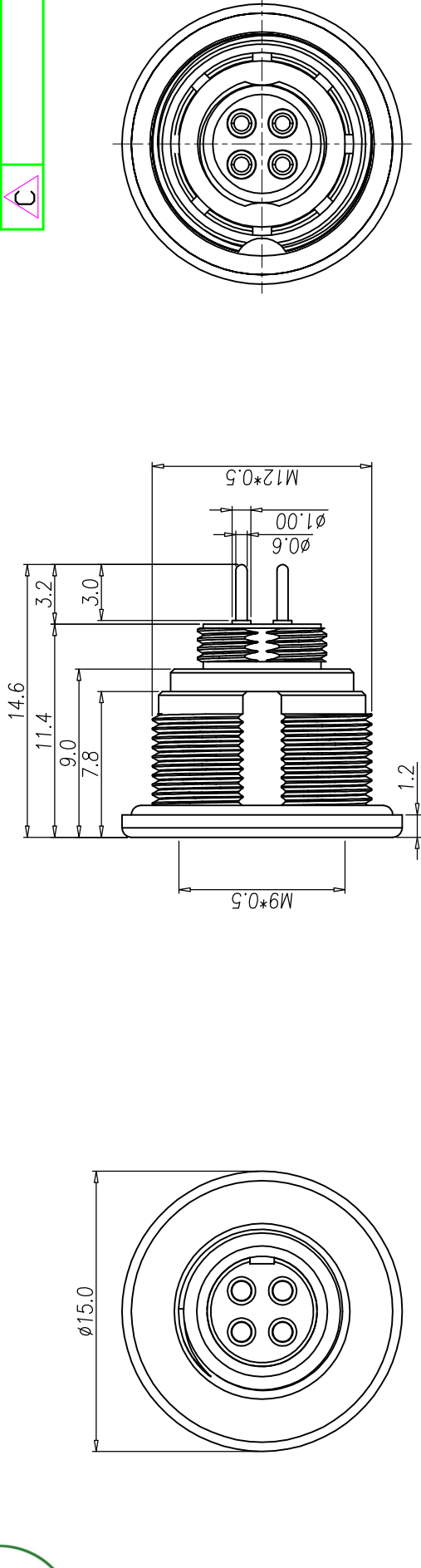


REV.	DESCRIPTION	APPROVED BY	DATE	ECN NO.
A	RELEASE	KUNG	14/05/21	
B				
C				

* SUBJECT TO CHANGE WITHOUT NOTICE



RECOMMEND PANEL CUT-OUT

WP-02F3-08-11	WP-03F3-08-11	WP-04F3-21-11	WP-05F3-25-11	WP-07F3-06-11	WP-08F3-18-11

- MATERIAL :
 - HOUSING : PA UL94V-0 ; COLOR : BLACK
 - CONTACT : BRASS.
 - SHELL : BRASS.
 - O-RING A : SILICONE ; COLOR : BLACK.
 - O-RING B : EPDM ; COLOR : BLACK.
 - NUT : BRASS
- FINISH :
 - CONTACT : GOLD FLASH
 - SHELL : NICKEL PLTAEED.
 - NUT : NICKEL PLTAEED.
- ELECTRICAL SPECIFICATION :
 - Rated current(40°C) : 2~3P/4A; 4~5P/3A; 7~8P/1A
 - Rated Voltage : 125V
 - Water proof : IP67
- Environmental :
 - Operation Temperature : -40°C~85°C

RECOMMEND P.C.B LAYOUT

DRAWN	Ku Chou	APP'D	KUNG	TOLERANCE	.x ±0.20 .xx ±0.10 .xxx ±0.05 .xxxx ±0.03 ANGULA ±1°	JKL TECHNOLOGY CO., LTD.	TITLE	M9 8PIN (F) REAR PANEL MOUNT, DIP TYPE.	SHEET	1	
CHK'D	Emily Suen	SCALE	1:1	UNIT	mm		PART NO.	WP-08F3-18-11	DWG.	QC10475	
										VERSION	A