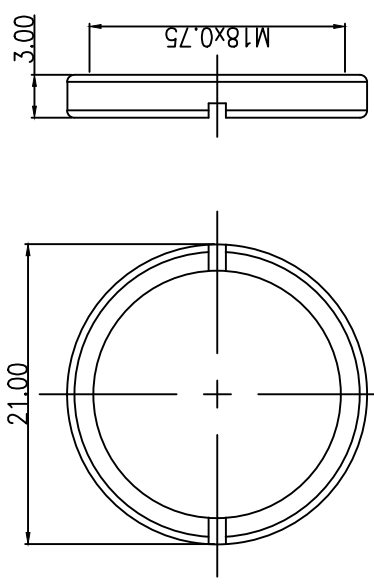
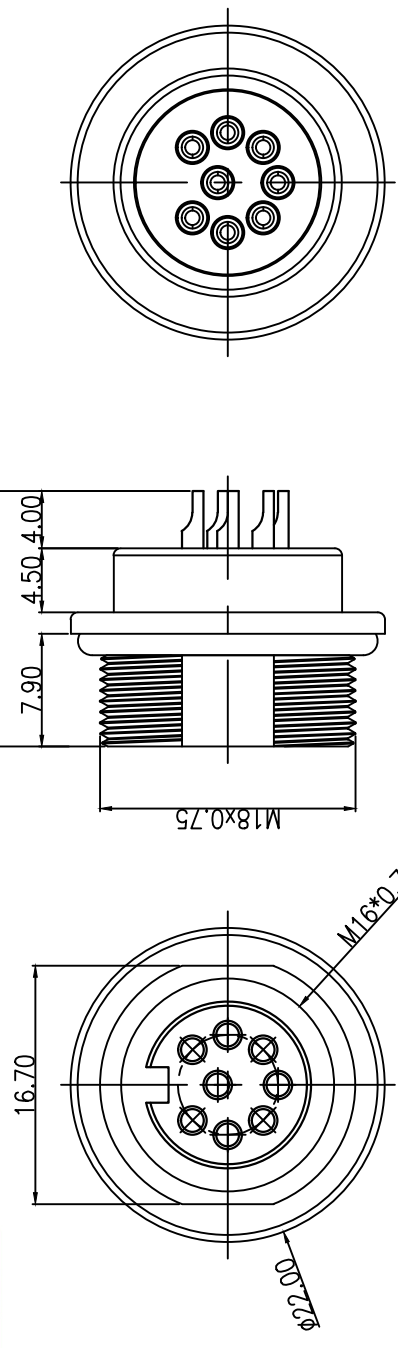




\* SUBJECT TO CHANGE WITHOUT NOTICE

| REV. | DESCRIPTION | APPL. BY | DATE      | ECN NO. |
|------|-------------|----------|-----------|---------|
| A    | RELEASE     | KUNG     | 26/02/19* |         |
| B    |             |          |           |         |
| C    |             |          |           |         |



RECOMMEND PANEL CUT-OUT

1. MATERIAL :
- 1-1. HOUSING : PA66 ; COLOR : BLACK.
  - 1-2. CONTACT : BRASS
  - 1-3. NUT : BRASS
  - 1-4. O-RING : EPDM ; COLOR : BLACK
  - 1-5. SHELL : BRASS.
2. FINISH :
- 2-1. CONTACT : GOLD FLASH MICRO INCHES MIN.
  - UNDER PLATE : NICKEL
  - 2-2. NUT : NICKEL PLATED
  - 2-3. SHELL : NICKEL PLATED
3. ELECTRICAL SPECIFICATION :
- 3-1. Rated current : 3PIN~8PIN 5A ; 12PIN 3A
  - 3-2. Rated Voltage : 3PIN~8PIN 250V ; 12PIN 60V
  - 3-3. Water proof: IPX8
4. Environmental :
- 4-1. Operation Temperature : -40℃~85℃

NUT

|               |                          |               |               |               |               |                                |               |
|---------------|--------------------------|---------------|---------------|---------------|---------------|--------------------------------|---------------|
| DI-03F2-07-11 | DI-04F2-15-11            | DI-05F2-10-11 | DI-06F2-17-11 | DI-07F2-09-11 | DI-07F2-13-11 | DI-08F2-09-11                  | DI-12F2-12-11 |
|               |                          |               |               |               |               |                                |               |
| TITLE         | JKL TECHNOLOGY CO., LTD. |               |               |               |               |                                | TITLE         |
| PART NO.      | DI-12F2-12-11            |               |               |               |               |                                | PART NO.      |
| DRAW          |                          | Ku Chou       |               | APPVL         |               | DIN 270° (F) FRONT PANEL MOUNT |               |
| CHECK         |                          | Emily Suen    |               | KUNG          |               | QC7457                         |               |
| UNIT          |                          | mm            |               | SCALE         |               | 1:1                            |               |
| TOLERANCE     |                          | .x ±0.20      |               | .xx ±0.10     |               | .xxx ±0.05                     |               |
| ANGULA        |                          | °             |               | ' ±1"         |               | "                              |               |

|         |        |         |   |
|---------|--------|---------|---|
| SHEET   | 1      | VERSION | A |
| DWG NO. | QC7457 |         |   |