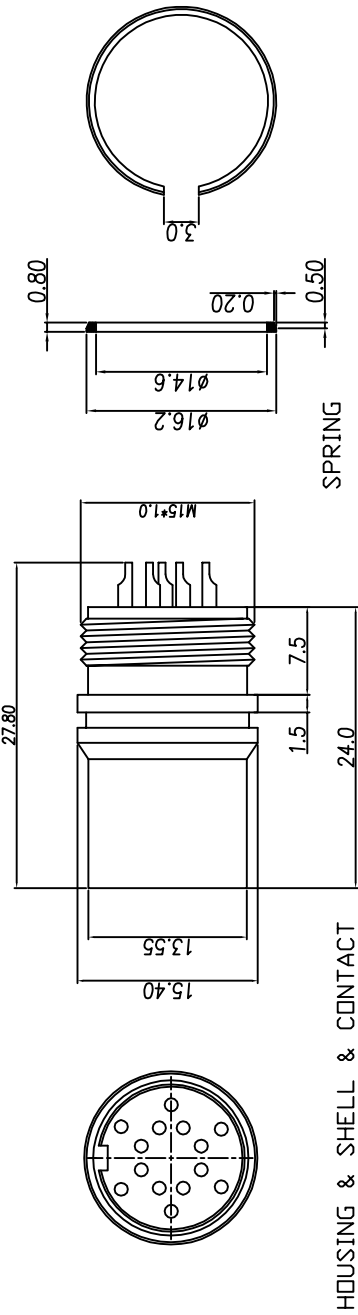


REV.	DESCRIPTION	APPROVED BY	DATE	ECN NO.
A	RELEASE	KUNG	08/05/19'	
B				
C				

\* SUBJECT TO CHANGE WITHOUT NOTICE



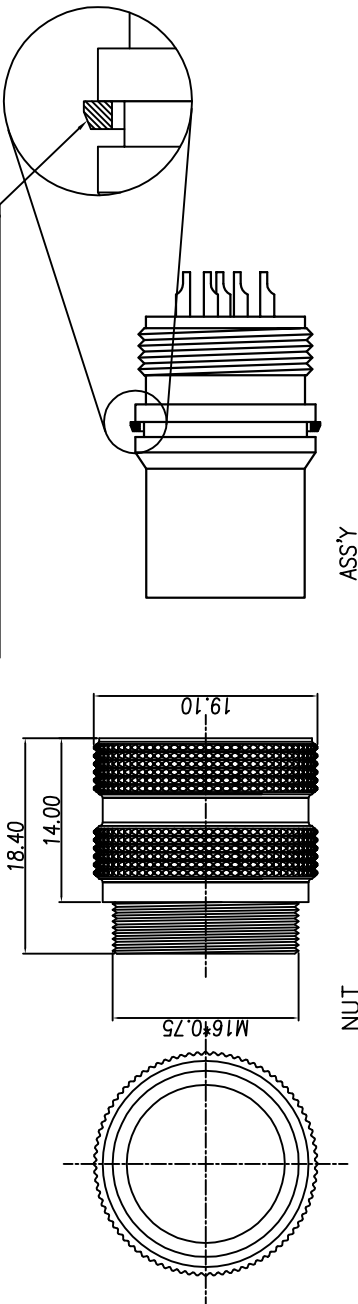
HOUSING & SHELL & CONTACT

1. MATERIAL :
- 1-1. HOUSING : PA66 ; COLOR : BLACK.
  - 1-2. CONTACT : BRASS.
  - 1-3. NUT : BRASS.
  - 1-4. SHELL : ZINC ALLOY
  - 1-5. SPRING : STAINLESS STEEL.
2. FINISH :
- 2-1. CONTACT : GOLD FLASH
  - 2-2. NUT : NICKEL PLATED OVER ALL
  - 2-3. SHELL : NICKEL PLATED OVER ALL
3. ELECTRICAL SPECIFICATION :
- 3-1. Rated current : 3~8P 5A;12~14P 3A
  - 3-2. Rated voltage : 3~8P 250V;12~14P 60V
  - 3-3. Water proof : IP67
4. Environmental :
- 4-1. Operation Temperature : -40°C~85°C

TABLE A

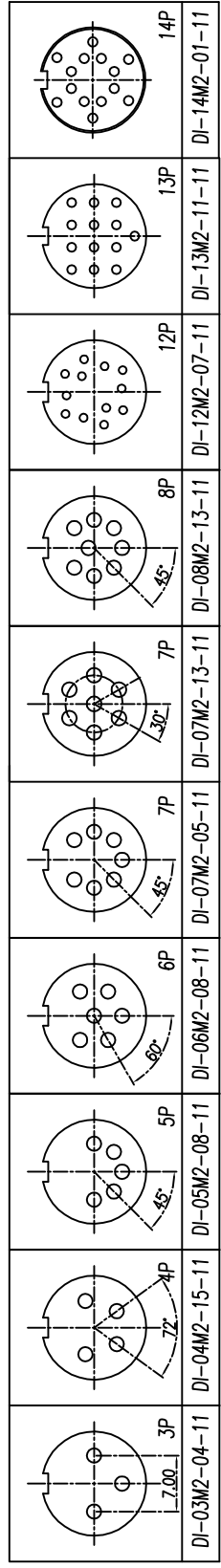
14P	DI-14M2-01-11	GOLD FLASH PLATED
13P	DI-13M2-11-11	GOLD FLASH PLATED
12P	DI-12M2-07-11	GOLD FLASH PLATED
8P	DI-08M2-13-11	GOLD FLASH PLATED
7P	DI-07M2-05-11	GOLD FLASH PLATED
7P	DI-07M2-13-11	GOLD FLASH PLATED
6P	DI-06M2-08-11	GOLD FLASH PLATED
5P	DI-05M2-08-11	GOLD FLASH PLATED
4P	DI-04M2-15-11	GOLD FLASH PLATED
3P	DI-03M2-04-11	GOLD FLASH PLATED
PIN	P/N	CONTACT FINSH

\*PLS FOLLOW THIS DIRECTION TO INSTALL



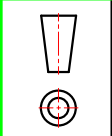
ASSY

NUT



DRAWN	KU	APPEND	KUNG	TITLE	M16 14P DIN PLUG WATERPROOF CONNECTOR ,MOLDING TYPE.	SHEET	④
CHKED				PART NO.	DI-14M2-01-11	VERSION	A
				DWG NO.	QC7017		

JKL TECHNOLOGY CO., LTD.



TOLERANCE	±0.20
x	±0.10
.xx	±0.05
.xxx	±0.03
.xxxx	±0.03
ANGULA	±1°

mm	UNIT
1:1	SCALE