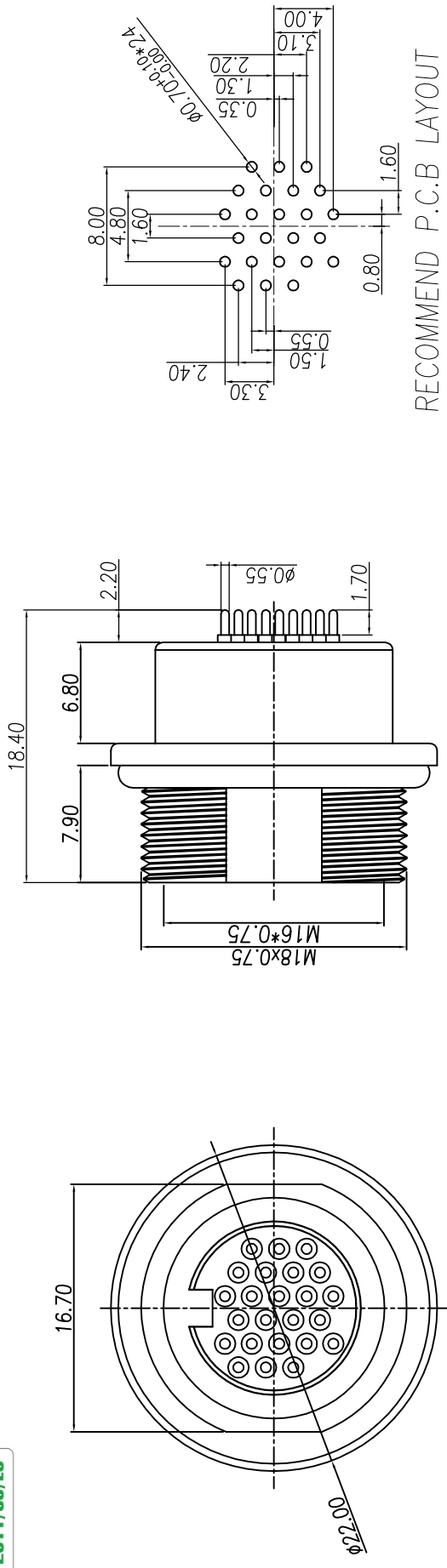
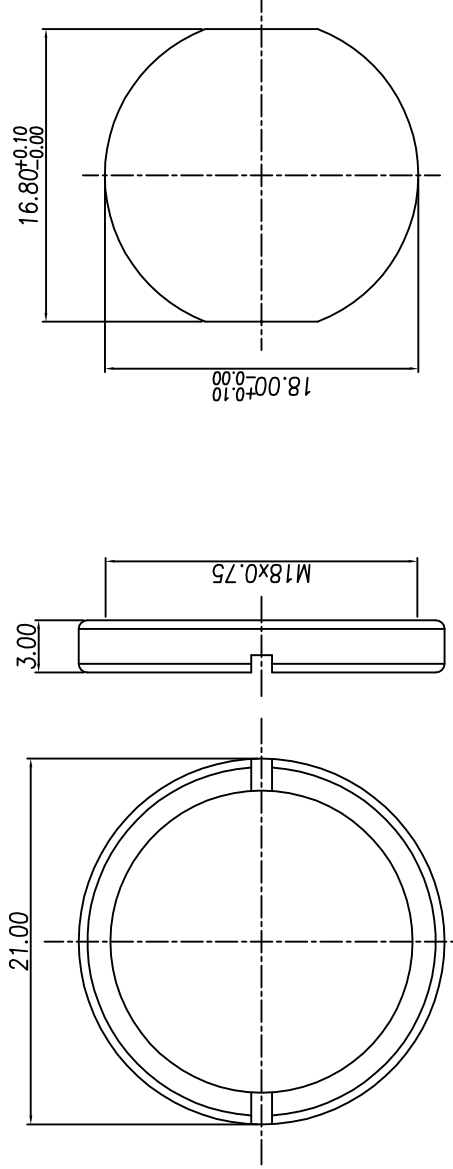


| | | | | |
|------|-------------|-------------|-----------|---------|
| REV. | DESCRIPTION | APPROVED BY | DATE | ECN NO. |
| A | RELEASE | KU | 27/11/18' | |
| B | | | | |
| C | | | | |



RECOMMEND P.C.B LAYOUT



NUT

1. MATERIAL :
- 1-1. HOUSING : PBT UL94V-0 ; COLOR : BLACK
 - 1-2. CONTACT : BRASS
 - 1-3. NUT : BRASS
 - 1-4. O-RING : EPDM ; COLOR : BLACK
 - 1-5. SHELL : BRASS.
2. FINISH :
- 2-1. CONTACT : GOLD FLASH MICRO INCHES MIN. UNDER PLATE : NICKEL
 - 2-2. NUT : NICKEL PLATED
 - 2-3. SHELL : NICKEL PLATED
3. ELECTRICAL SPECIFICATION :
- 3-1. Rated current : 1A
 - 3-2. Rated Voltage : 60V
 - 3-3. Water proof: IP67
4. Environmental :
- 4-1. Operation Temperature : -40℃~85℃

RECOMMENDPANEL CUT-OUT

| | | | | | | | | | | | | |
|-------|-------|----|-------|------|-------|-----------|--|--|--------------------------|----------|--|---------------|
| DRAWN | CHK'D | KU | APP'D | KUNG | UNIT | TOLERANCE | | | JKL TECHNOLOGY CO., LTD. | TITLE | DIN 24P (F) FRONT-PANEL MOUNT, DIP TYPE. | SHEET |
| | | | | | SCALE | MM | | | | PART NO. | | DI-24F3-01-11 |
| | | | | | | | | | | DWG NO. | QC8800 | |