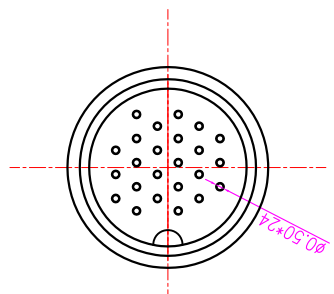
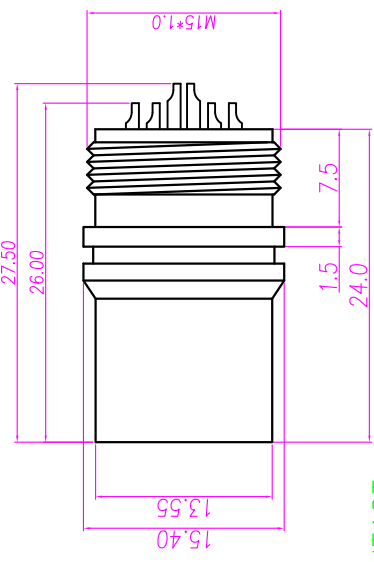
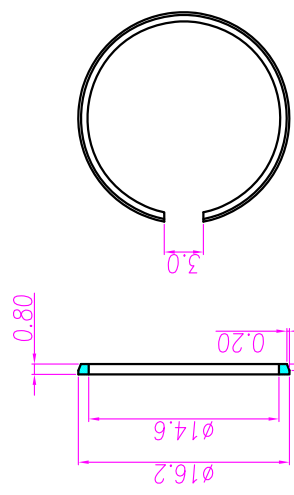


REV.	DESCRIPTION	APPROVED BY	DATE	ECN NO.
A	RELEASE	KUNG	27/11/18"	
B	MODIFIED SPRING	KUNG	17/05/19"	
C				

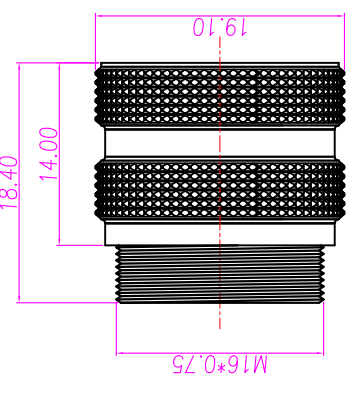
* SUBJECT TO CHANGE WITHOUT NOTICE



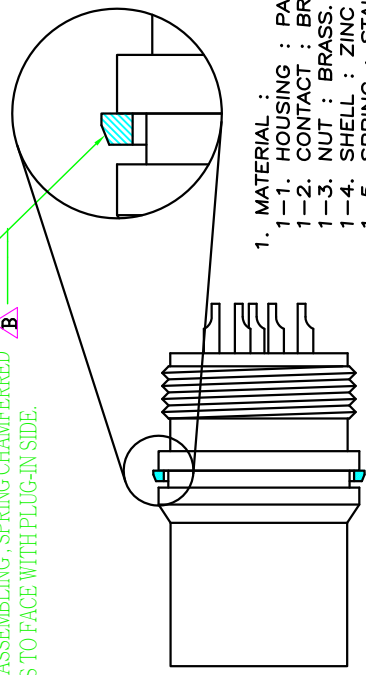
HOUSING & SHELL & CONTACT

SPRING

WHEN ASSEMBLING, SPRING CHAMFERED NEEDS TO FACE WITH PLUG-IN SIDE.



NUT



1. MATERIAL :
- 1-1. HOUSING : PA66 ; COLOR : BLACK.
 - 1-2. CONTACT : BRASS.
 - 1-3. NUT : BRASS.
 - 1-4. SHELL : ZINC ALLOY
 - 1-5. SPRING : STAINLESS STEEL.
2. FINISH :
- 2-1. CONTACT : GOLD FLASH MICRO INCHES MIN.
 - 2-2. NUT : NICKEL PLATED OVER ALL
 - 2-3. SHELL : NICKEL PLATED OVER ALL
3. ELECTRICAL SPECIFICATION :
- 3-1. Rated current : 1A
 - 3-2. Rated voltage : 60V
 - 3-3. Water proof : IP67
4. Environmental :
- 4-1. Operation Temperature : -20°C~85°C

ASSY

DRAWN	CHK'D	KU	APP'D	KUNG	UNIT	TOLERANCE			JKL TECHNOLOGY CO., LTD.	TITLE	DIN 24P (M) WATERPROOF CONNECTOR FOR CABLE.	SHEET	1
					SCALE	1:1				PART NO.	DI-24M2-01-11	DWG NO.	QC8831