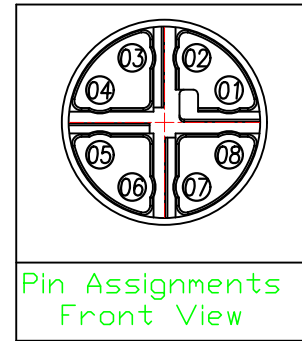
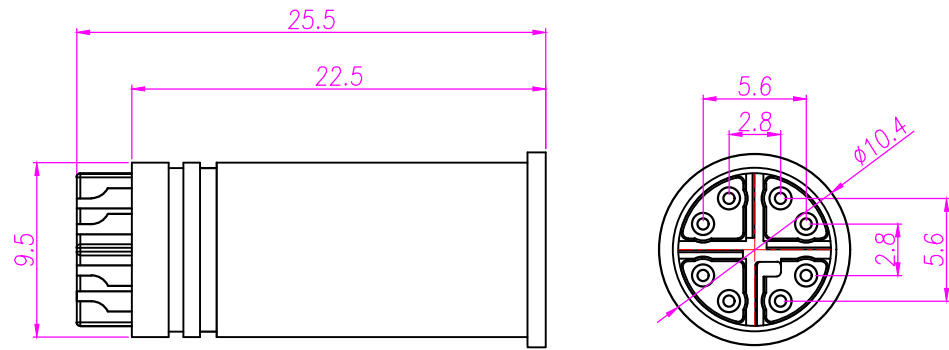
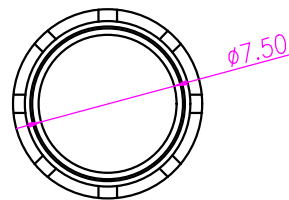
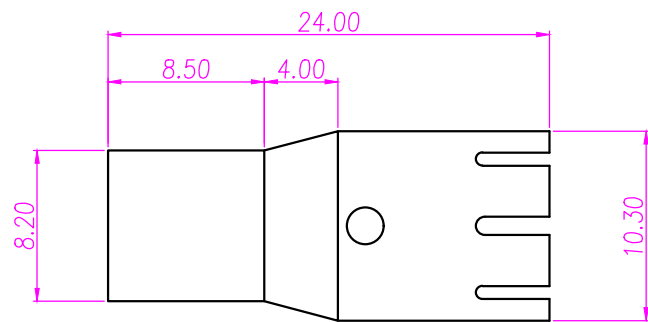
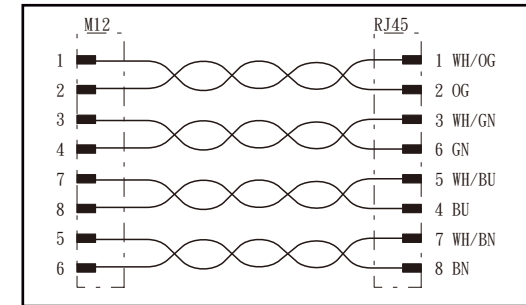




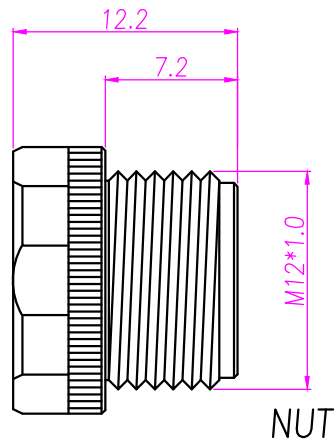
REV.	DESCRIPTION	APPROVED BY	DATE	ECN NO.
A	RELEASE	KUNG	04/12/14	
B				
C				



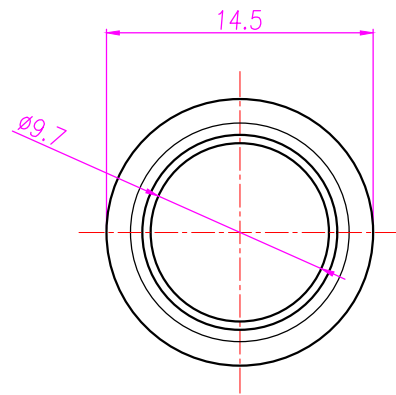
WIRING DIAGRAM



BACK SHELL



NUT



- MATERIAL :
 - 1-1. HOUSING : PBT UL94V-0 ; COLOR : BLACK
 - 1-2. CONTACT : BRASS
 - 1-3. NUT : BRASS
 - 1-4. SHELL : Zn ALLOY
 - 1-5. BACK SHELL : BRASS.
- FINISH :
 - 2-1. CONTACT : 10 MICRO INCHES MIN. GOLD PLATED
UNDER PLATE : NICKEL
 - 2-2. NUT : NICKEL PLATED
 - 2-3. SHELL : NICKEL PLATED
 - 2-4. BACK SHELL : NICKEL PLATED
- ELECTRICAL SPECIFICATION :
 - 3-1. Rated current : 0.5A
 - 3-2. Rated Voltage : 48V
 - 3-3. Water proof: IPX7
- Environmental :
 - 4-1. Operation Temperature : -40°C~85°C

DRAWN	Mark Kao	APP'D	KUNG	UNIT	mm	TOLERANCE		JKL TECHNOLOGY CO., LTD.	TITLE	M12 8PIN X-Code MALE WATERPROOF FOR CABLE.			SHEET
CHK'D	Emily Suen			SCALE	1:1	.x ±0.20 .xx ±0.10 .xxx ±0.05 .xxxx ±0.03 ANGULA ±1°			PART NO.	WP-08M2-70-11	DWG NO.	QC8172	VERSION