

* SUBJECT TO CHANGE WITHOUT NOTICE



REV.	DESCRIPTION	APPROVED BY	DATE	ECN NO.
A	RELEASE	KUNG	22/01/21*	
B				
C				

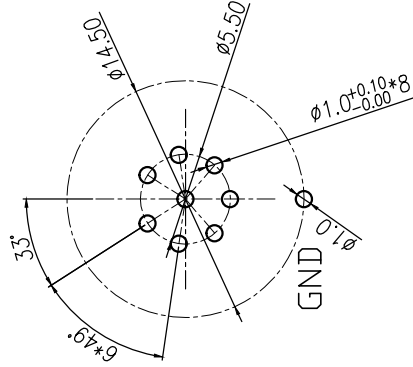
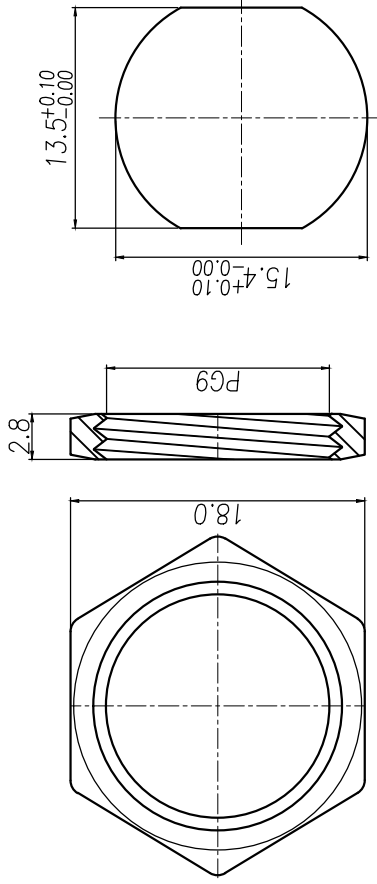
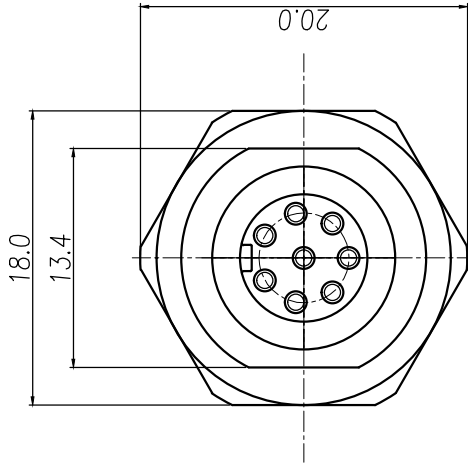
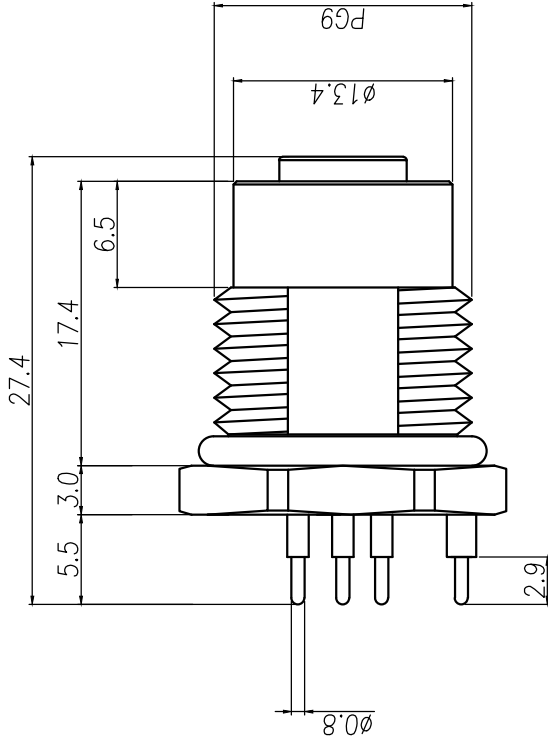


TABLE A

	WP-06F3-06-11		WP-06F3-07-11
	WP-08F2-57-11		WP-07F3-02-11

Pin Assignments
Front View

- MATERIAL :
 - HOUSING : PBT UL94V-0 ; COLOR : BLACK
 - CONTACT : BRASS
 - NUT : BRASS
 - SHELL : BRASS
 - O-RING : EPDM
- FINISH :
 - CONTACT : 10 MICRO INCHES MIN. GOLD PLATED UNDER PLATE : NICKEL
 - NUT : NICKEL PLATED
 - SHELL : NICKEL PLATED
- ELECTRICAL SPECIFICATION :
 - Rated current : 2A
 - Rated Voltage : 30V
 - Water proof : IP67
- Environmental :
 - Operation Temperature : -40°C~85°C

RECOMMEND PANEL CUT-OUT RECOMMEND P.C.B LAYOUT

NUT

DRAWN	CHKD	APPEND	KUNG	UNIT	TOLERANCE	JTL TECHNOLOGY CO., LTD.	TITLE	PART NO.	DWG NO.	QC7099	SHEET
							M12 8P (F) A CODE FRONT PANEL MOUNT , DIP TYPE , WITH GROUND POST.				VERSION