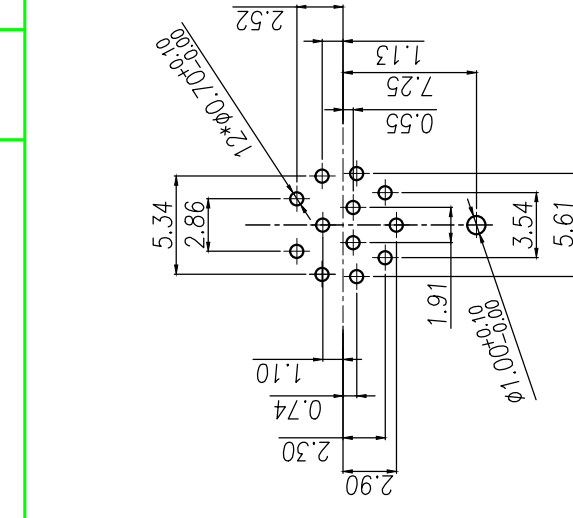
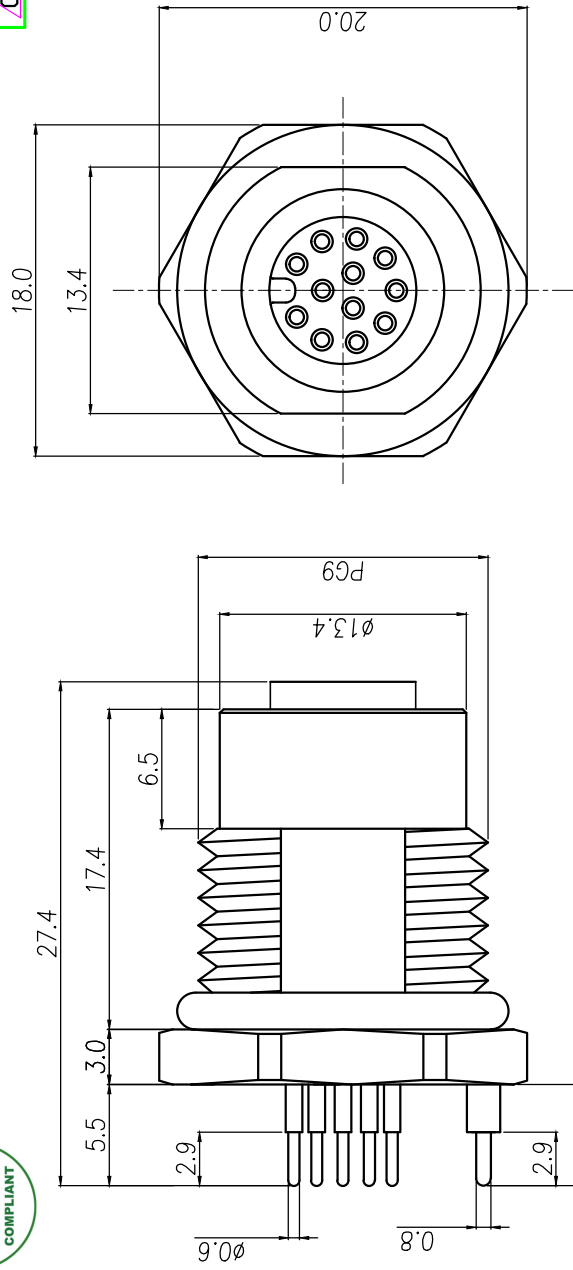
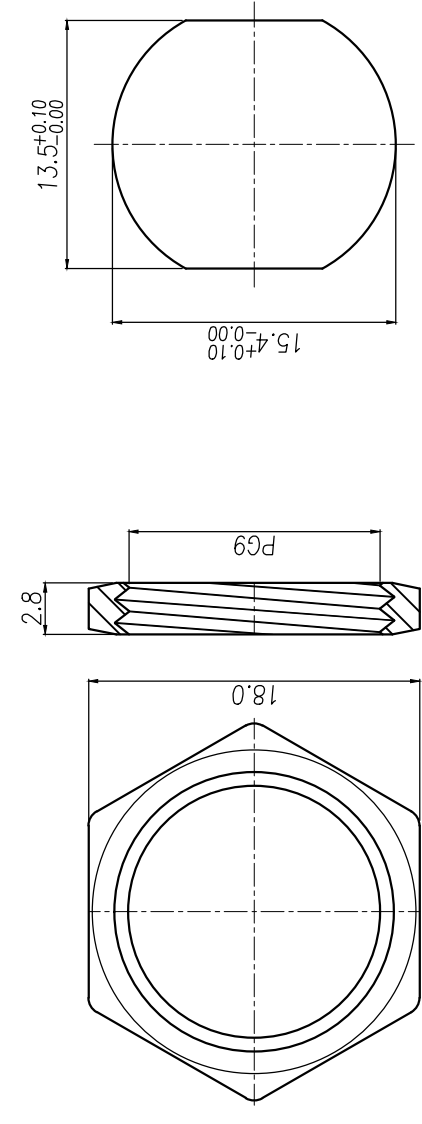


REV.	DESCRIPTION	APPROVED BY	DATE	ECN NO.
A	RELEASE	KUNG	22/01/21	
B				
C				

\* SUBJECT TO CHANGE WITHOUT NOTICE



RECOMMEND P.C.B LAYOUT



RECOMMEND PANEL CUT-OUT

NUT

- MATERIAL :
  - HOUSING : PBT UL94V-0 ; COLOR : BLACK
  - CONTACT : BRASS
  - NUT : BRASS
  - SHELL : BRASS
  - O-RING : EPDM ; COLOR : BLACK
- FINISH :
  - CONTACT : 10 MICRO INCHES MIN. GOLD PLATED UNDER PLATE : NICKEL
  - NUT : NICKEL PLATED
  - SHELL : NICKEL PLATED
- ELECTRICAL SPECIFICATION :
  - Rated current : 1.5A
  - Rated Voltage : 30V
  - Water proof : IP67
- Environmental :
  - Operation Temperature : -40°C~85°C

DRAWN	Mr. Dhan	APPEND	JKL TECHNOLOGY CO., LTD.		TITLE	IM12 (F) A CODE FRONT PANEL MOUNT, DIP TYPE, WITH GROUND POST.	SHEET	1
CHKD					PART NO.	WP-12F3-01-11	VERSION	A
					DWG NO.	QC9988		

TOLERANCE	X ±0.20
	XX ±0.10
	XXX ±0.05
	XXXX ±0.03
	ANGULA ±1°

UNIT	mm
SCALE	1:1

KUNG
------