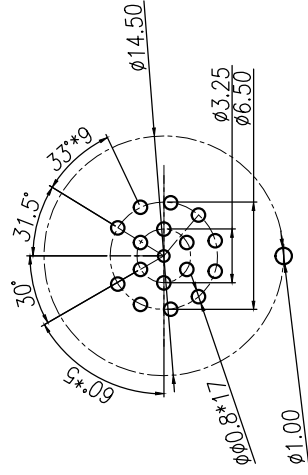
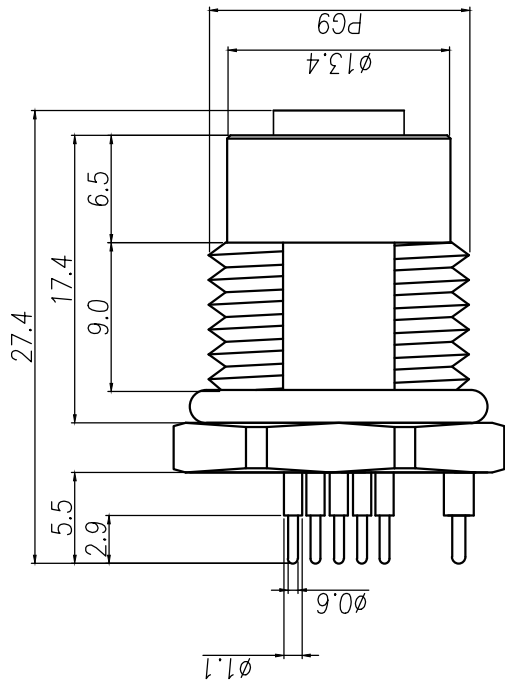


A B C D E F

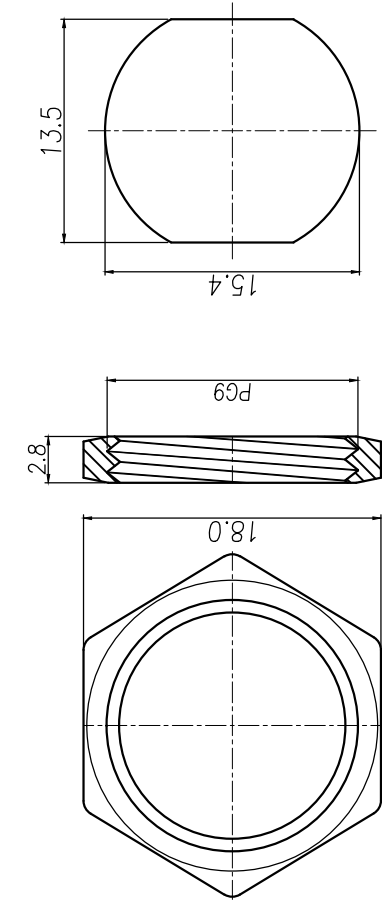
* SUBJECT TO CHANGE WITHOUT NOTICE



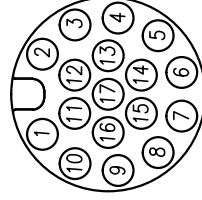
REV.	DESCRIPTION	APPROVED BY	DATE	ECN NO.
A	RELEASE	KUNG	22/01/21	
B				
C				



RECOMMEND P.C.B LAYOUT



NUT



PIN ASSIGNMENTS
FRONT VIEW

RECOMMEND PANEL CUT-OUT

- MATERIAL :
 - HOUSING : PBT UL94V-0 ; COLOR : BLACK
 - CONTACT : BRASS
 - NUT : BRASS
 - SHELL : BRASS
 - O-RING : EPDM ; COLOR : BLACK
- FINISH :
 - CONTACT : 10 MICRO INCHES MIN. GOLD PLATED
 - UNDER PLATE : NICKEL
 - NUT : NICKEL PLATED
 - SHELL : NICKEL PLATED
- ELECTRICAL SPECIFICATION :
 - Rated current : 1.5A
 - Rated voltage : 30V
 - Water proof : IP67
- Environmental :
 - Operation Temperature : -40°C~85°C

DRAWN	CHK'D	APPEND	KUNG	UNIT	TOLERANCE			TITLE	PART NO.	DVG NO.	QC10080	SHEET
								M12 17P (F) A CODE FRONT PANEL MOUNT , DIP TYPE , WITH GROUND POST.				VERSION

JKL TECHNOLOGY CO., LTD.